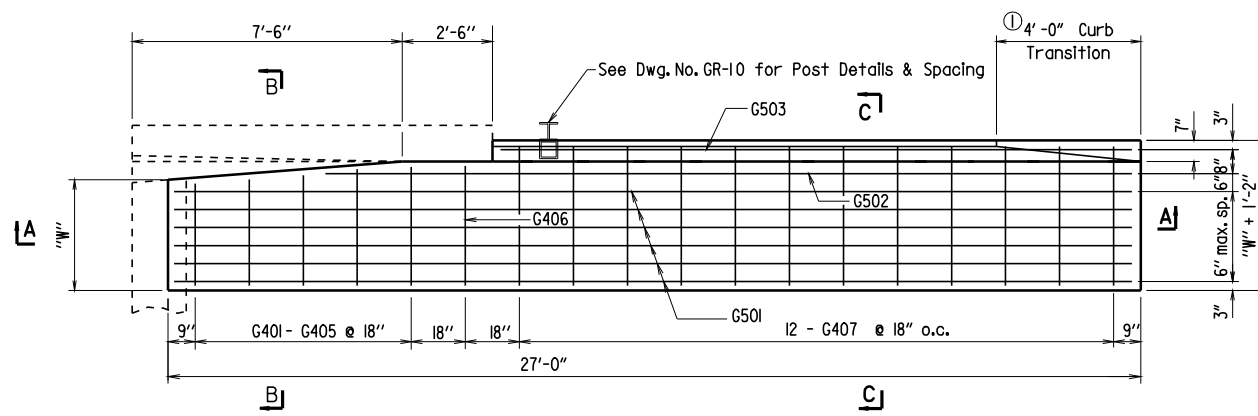
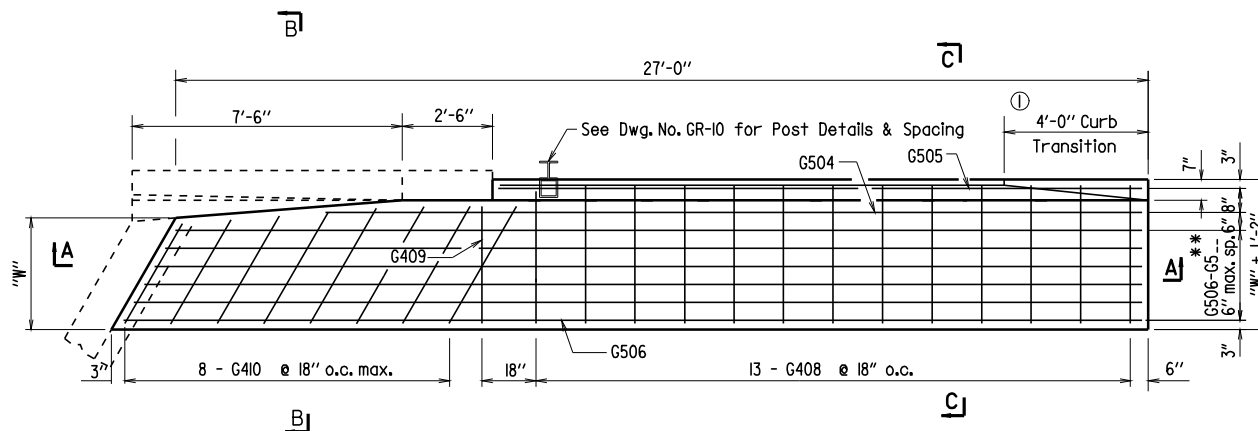


DATE REVISED	DATE FILMED	DATE REVISED	DATE FILMED	FED. ROAD DIST. NO.	STATE	FED. AID PROJ. NO.	SHEET NO.	TOTAL SHEETS
4-10-2003				6	ARK.			
				JOB NO.				

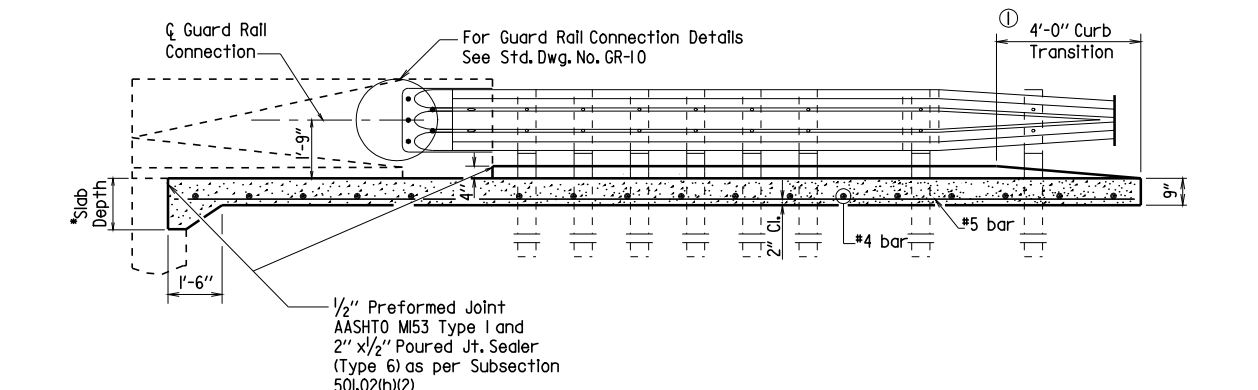
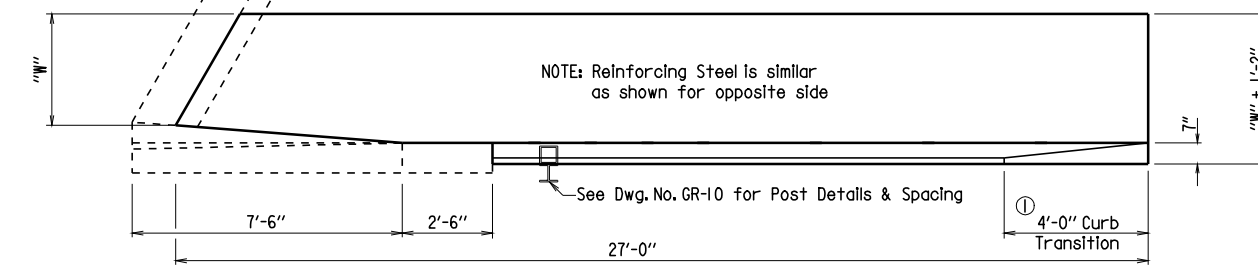
TYPE B GUTTERS 2016B



HALF PLAN OF APPROACH GUTTERS FOR SQUARE BRIDGE



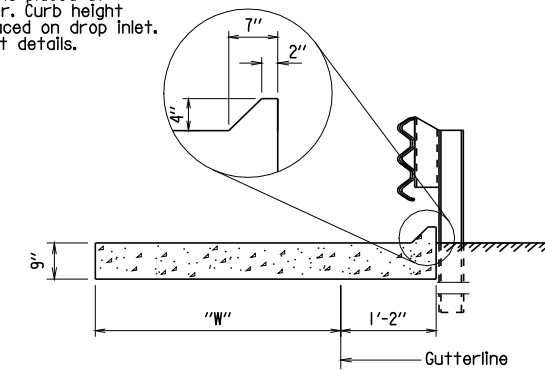
PLAN OF APPROACH GUTTERS FOR SKEWED BRIDGE



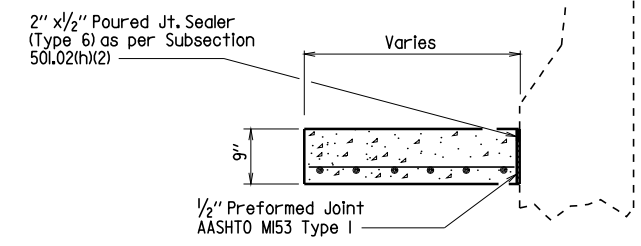
SECTION A - A

Slab Depth Varies - See Span and Bent Details

① Construct gutter curb with height-transition as shown if drop inlet is not placed at end of gutter.
Construct gutter curb full height (no height-transition) if drop inlet is placed at end of gutter. Curb height transition placed on drop inlet. See drop inlet details.



SECTION C - C
N.T.S.



SECTION B - B
N.T.S.

QUANTITIES FOR ONE SQUARE APPROACH GUTTER

"W" Width (ft.)	Reinforcing Steel (lbs.)	Concrete (cubic yards)
3	252	3.00
4	319	3.75
6	459	5.25
8	590	6.75

*** BAR LIST
TYPE B GUTTER

Mark	No. Required for Width "W"				Length	Square or Skewed
	3'-0"	4'-0"	6'-0"	8'-0"		
G401-G405	1 each	1 each	1 each	1 each	"W" - 3" to "W" + 3"	Square
G406	1	1	1	1	"W" + 3"	Square
G407	12	12	12	12	"W" + 10"	Square
G408	13	13	13	13	"W" + 10"	Skewed
G409	1	1	1	1	"W" + 3"	Skewed
G410	8	8	8	8	*	Skewed
G501	6	8	12	16	26'-8"	Square
G502	1	1	1	1	22'-2"	Square
G503	1	1	1	1	17'-8"	Square
G504	1	1	1	1	*	Skewed
G505	1	1	1	1	*	Skewed
G506-G5**	1 each	1 each	1 each	1 each	*	Skewed

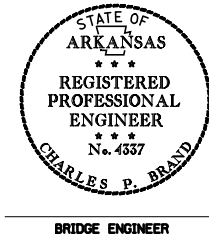
* Bar Lengths vary with Skew.
** G512 for "W" = 3'
G514 for "W" = 4'
G518 for "W" = 6'
G522 for "W" = 8'

*** Special bar list required when skew angle exceeds 40° for W = 8'; 50° for W = 6'; or 60° for W = 4'.

GENERAL NOTES

Concrete shall be Class S or Class (S/AE) or mixture used for Portland Cement Concrete Pavement.
Reinforcement Steel shall conform to AASHTO M31 or M53, Grade 60 (fy = 60,000 psi).
Approach Gutters will be measured and paid for in accordance with Section 504 of the Standard Specifications.

Revised and redrawn 4-10-2003. By KDH Ck. By: CJF 4-10-2003



DETAILS OF STANDARD TYPE B APPROACH GUTTERS
ROUTE SEC.
ARKANSAS STATE HIGHWAY COMMISSION
LITTLE ROCK, ARK.
DRAWN BY: KDH DATE: 4-10-2003 FILENAME: B2016B.STD
CHECKED BY: CJF DATE: 4-10-2003 SCALE: 3/8" = 1'-0"
DESIGNED BY: STD DATE: BRIDGE NO. DRAWING NO. 2016B