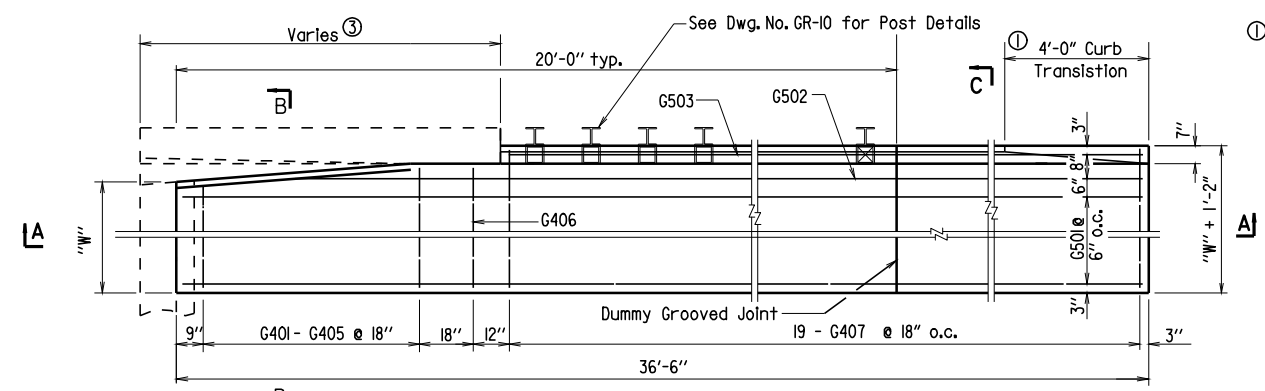


DATE REVISED	DATE FILMED	DATE REVISED	DATE FILMED	FED. ROAD DIST. NO.	STATE	FED. AID PROJ. NO.	SHEET NO.	TOTAL SHEETS
4-10-2003				6	ARK.			

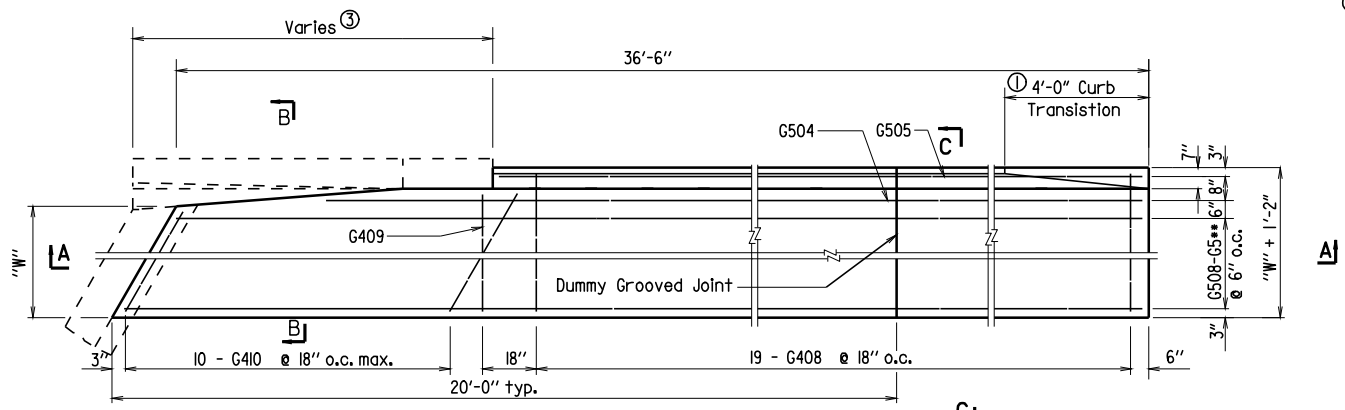
JOB NO. TYPE C GUTTERS - 2016C



HALF PLAN OF APPROACH GUTTERS FOR SQUARE BRIDGE

① Construct gutter curb with height-transition as shown if drop inlet is not placed at end of gutter.  
Construct gutter curb full height (no height-transition) if drop inlet is placed at end of gutter. Curb height transition placed on drop inlet. See drop inlet details.

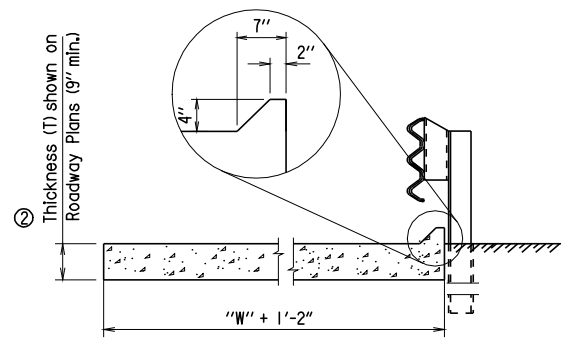
③ Length Varies See End Bt. Details for Actual Length. Quantities Shown are for 10'-0" Transition Rail.



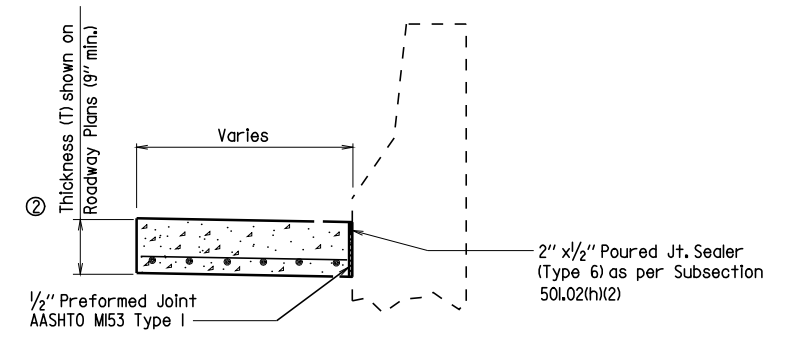
PLAN OF APPROACH GUTTERS FOR SKEWED BRIDGE

NOTE: Reinforcing Steel is similar as shown for opposite side

② Thickness shall match Approach Slab Thickness. Thickness shall be 9" if Approach Slab is not used.



SECTION C - C  
N.T.S.



SECTION B - B  
N.T.S.

\*\*\* BAR LIST FOR ONE TYPE C GUTTER

Mark	No. Req'd. for Width "W"				Length	Square or Skewed
	4'-0"	6'-0"	8'-0"	10'-0"		
G401 - G405	1 each	1 each	1 each	1 each	"W"-3" to "W"+3"	Square
G406	1	1	1	1	"W"+3"	Square
G407	19	19	19	19	"W"+10"	Square
G408	19	19	19	19	"W"+10"	Skewed
G409	1	1	1	1	"W"+3"	Skewed
G410	10	10	10	10	*	Skewed
G501	8	12	16	20	36'-2"	Square
G502	1	1	1	1	3'-8"	Square
G503	1	1	1	1	27'-2"	Square
G504	1	1	1	1	*	Skewed
G505	1	1	1	1	*	Skewed
G508 - G5... **	1 each	1 each	1 each	1 each	*	Skewed

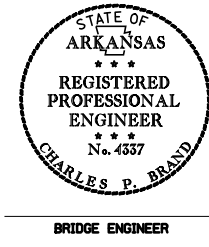
\*\*\* Special bar list required when skew angle exceeds 35° for W = 10'; 40° for W = 8'; 50° for W = 6'; or 60° for W = 4'.

\* Bar Lengths vary with Skew.

\*\* G515 for W = 4'  
G519 for W = 6'  
G523 for W = 8'  
G527 for W = 10'

QUANTITIES FOR ONE SQUARE APPROACH GUTTER

"W" Width (ft.)	Reinforcing Steel (lbs.)	Concrete (cubic yards)				
		T=9"	T=10"	T=11"	T=12"	T=14 1/2"
4	439	5.19	5.75	6.31	6.88	8.25
6	623	7.24	8.02	8.80	9.59	11.52
8	807	9.28	10.29	11.30	12.32	14.79
10	991	11.33	12.56	13.79	15.03	18.06



DETAILS OF STANDARD TYPE C APPROACH GUTTERS  
ROUTE SEC.  
ARKANSAS STATE HIGHWAY COMMISSION  
LITTLE ROCK, ARK.

DRAWN BY: KDH DATE: 4-10-2003 FILENAME: B2016C.STD  
CHECKED BY: CJF DATE: 4-10-2003 SCALE: 3/8" = 1'-0"  
DESIGNED BY: STD. DATE: BRIDGE NO. DRAWING NO. 2016C