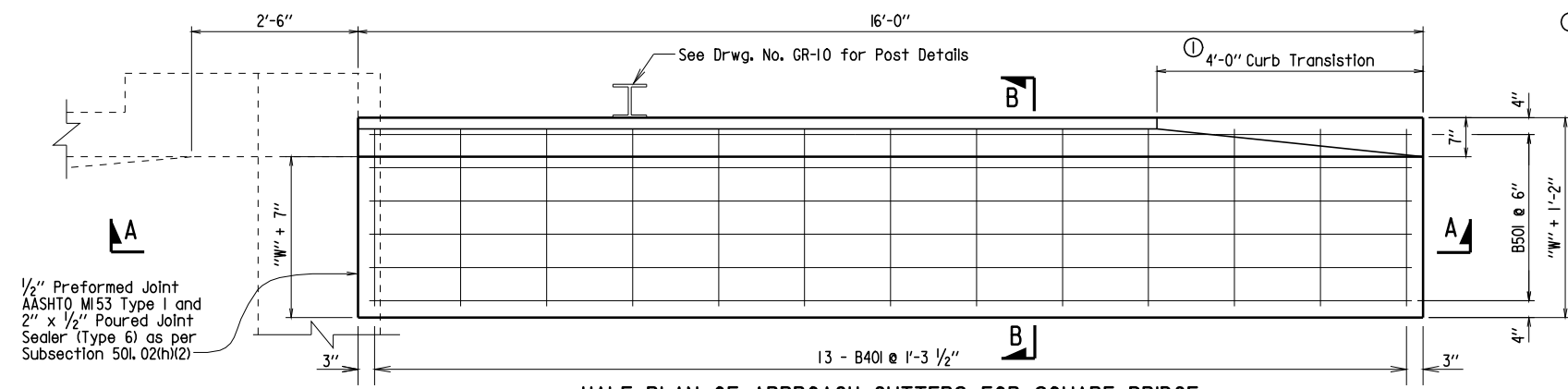
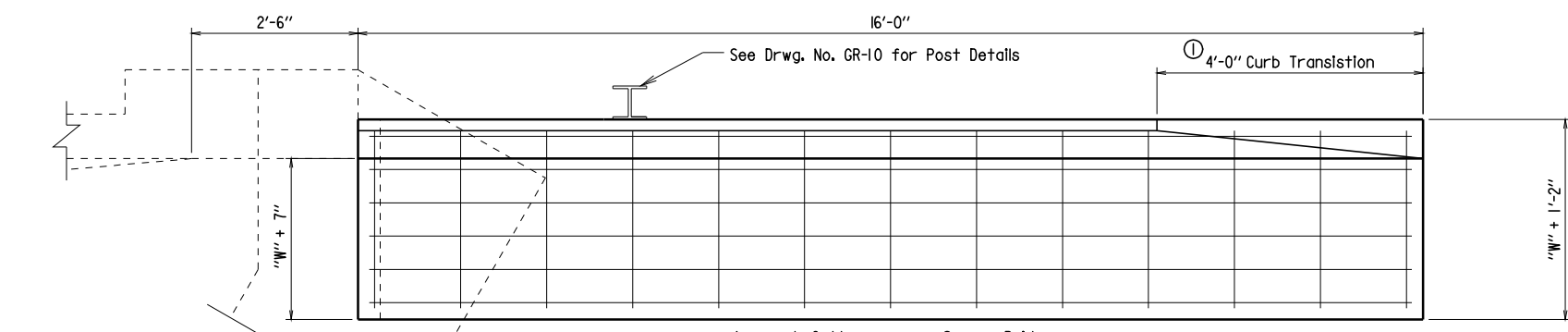


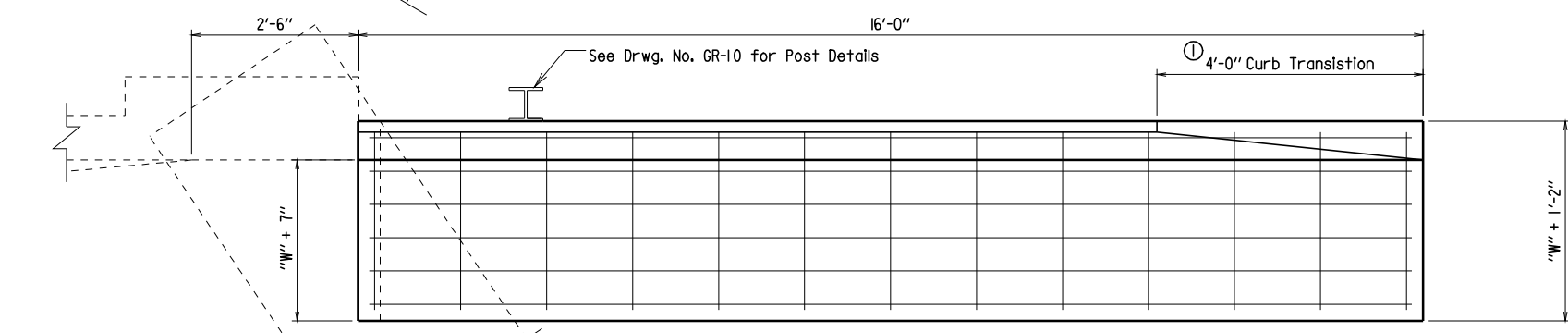
DATE REVISED	DATE FILMED	DATE REVISED	DATE FILMED	FED. ROAD DIST. NO.	STATE	FED. AID PROJ. NO.	SHEET NO.	TOTAL SHEETS
4-10-2003				6	ARK.			
JOB NO.							1	TYPE D GUTTERS 2016D



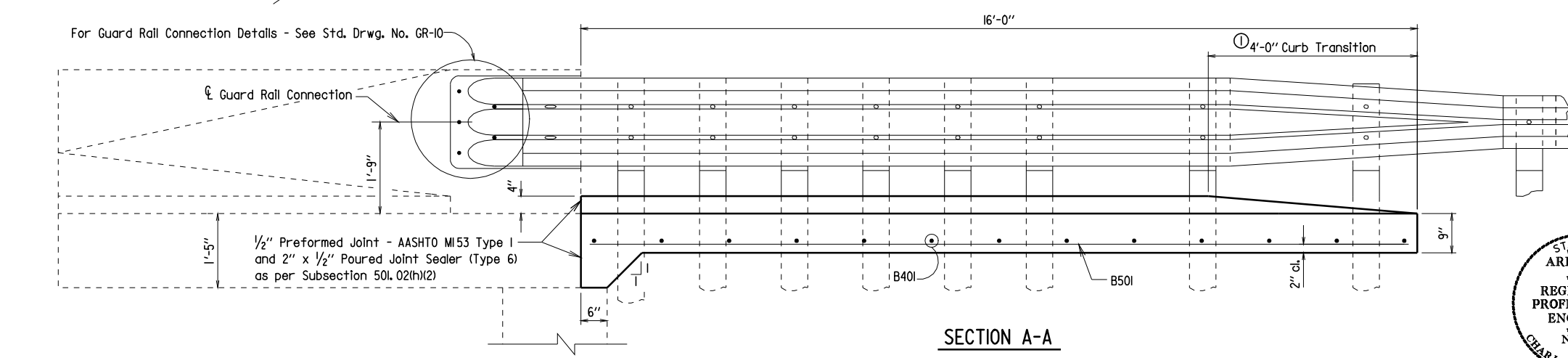
HALF PLAN OF APPROACH GUTTERS FOR SQUARE BRIDGE



HALF PLAN OF APPROACH GUTTERS FOR LEFT FORWARD SKEW

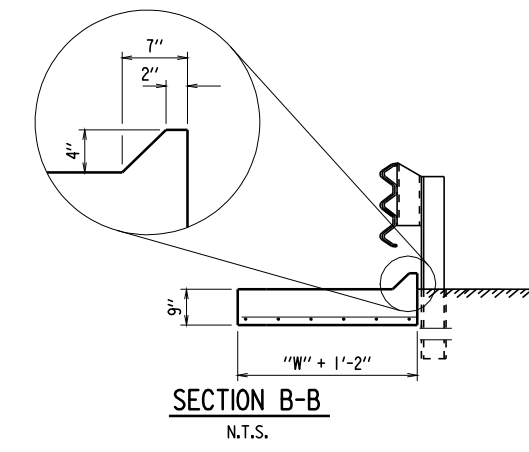


HALF PLAN OF APPROACH GUTTERS FOR RIGHT FORWARD SKEW



SECTION A-A

① Construct gutter curb with height-transition as shown if drop inlet is not placed at end of gutter.
Construct gutter curb full height (no height-transition) if drop inlet is placed at end of gutter. Curb height transition placed on drop inlet. See drop inlet details.



SECTION B-B
N.T.S.

BAR LIST - ONE GUTTER

Mark	No. Required for Width "W"				Length
	3'-0"	4'-0"	6'-0"	8'-0"	
B401	13	13	13	13	"W" + 10"
B501	8	10	14	18	15'-8"

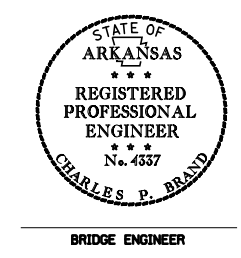
QUANTITIES FOR ONE SQUARE APPROACH GUTTER

"W" Width (ft.)	Reinforcing Steel (lbs.)	Concrete (cubic yards)
3	165	2.00
4	206	2.50
6	289	3.40
8	371	4.35

GENERAL NOTES

Concrete shall be Class S or Class S(AE) or mixture used for Portland Cement Concrete Pavement.
Reinforcement Steel shall conform to AASHTO M31 or M53, Grade 60 (fy = 60,000 psi).
Approach Gutters will be measured and paid for in accordance with Section 504 of the Standard Specifications.

△ Revised and redrawn 4-10-2003. By KDH Ck. By: CJF 4-10-2003



BRIDGE ENGINEER

DETAILS OF STANDARD TYPE D APPROACH GUTTERS

ROUTE SEC.
ARKANSAS STATE HIGHWAY COMMISSION
LITTLE ROCK, ARK.
DRAWN BY: KDH DATE: 4-10-2003 FILENAME: B2016D.STD
CHECKED BY: CJF DATE: 4-10-2003 SCALE: 3/4" = 1'-0" or as noted
DESIGNED BY: STD. DATE: _____
BRIDGE NO. DRAWING NO. 2016D