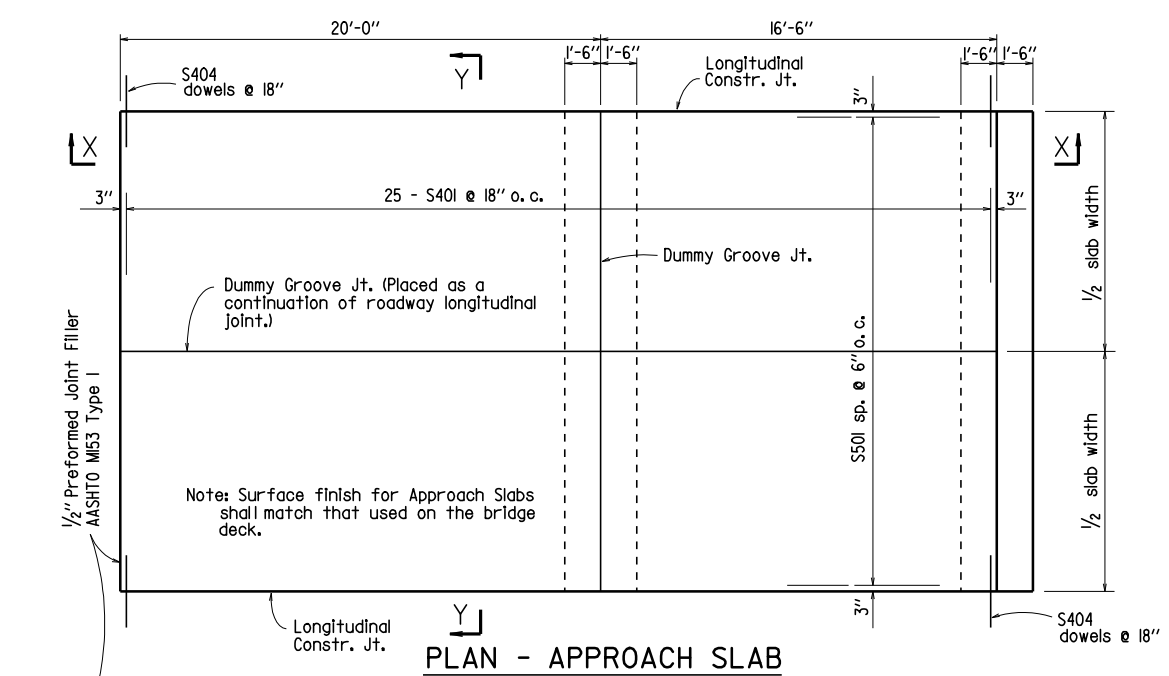
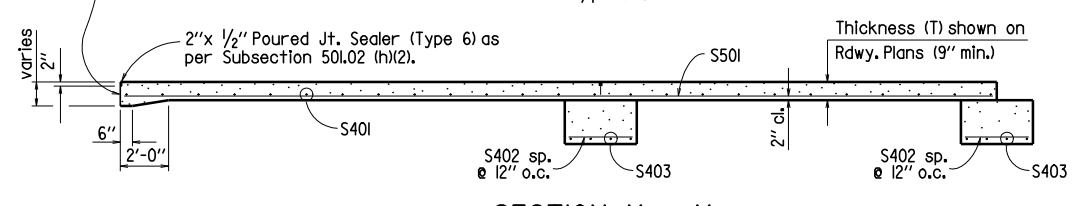


DATE REVISED	DATE FILMED	DATE REVISED	DATE FILMED	FED. ROAD DIST. NO.	STATE	FED. AID PROJ. NO.	SHEET NO.	TOTAL SHEETS
4-10-2003				6	ARK.			

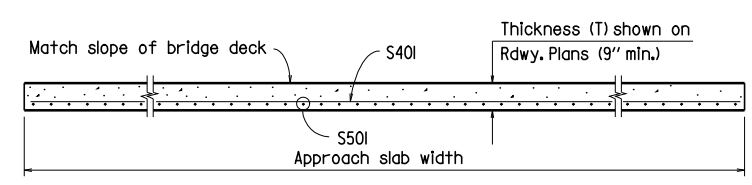
1 APPROACH SLAB - 2017



PLAN - APPROACH SLAB

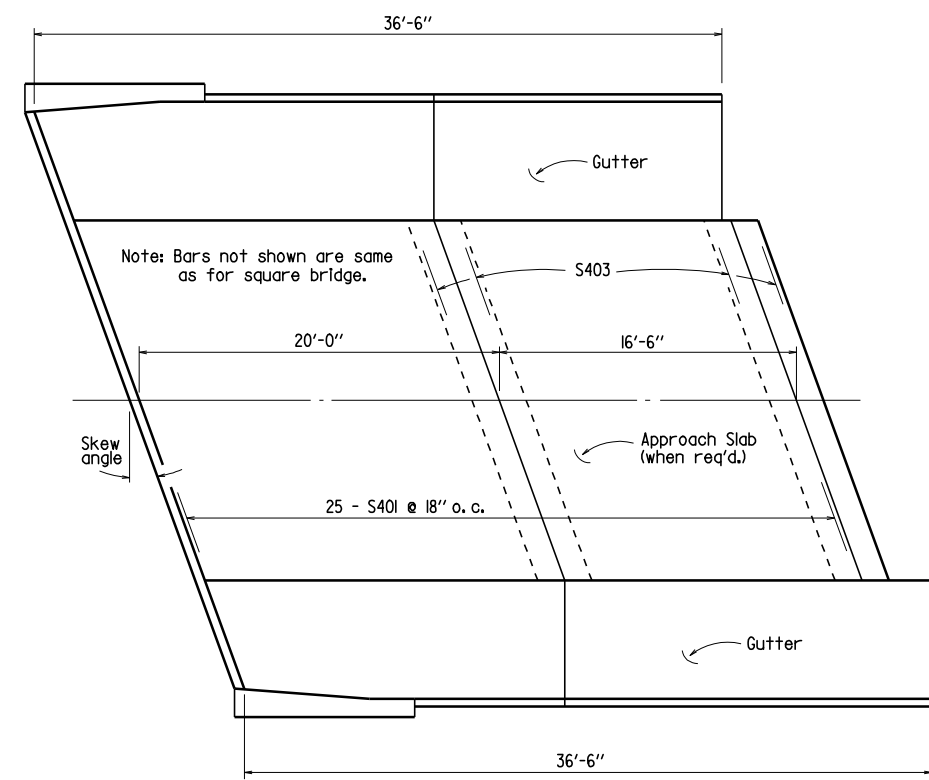


SECTION X - X



SECTION Y - Y

Note: All slabs are uniform thickness.



PLAN VIEW SHOWING APPROACH FOR SKEWED BRIDGE

**BAR LISTS**  
(Square & Skewed Slabs)

Slab Width	Mark	No. Req'd.	Length	
			Square	Skewed
15'-0" slab width	S401	25	14'-8"	14'-8" (secant skew angle)
	S402	* 30	2'-8"	
	S403	8	14'-8"	14'-8" (secant skew angle)
	S404	* 50	3'-0"	
	S501	30	36'-2"	
24'-0" slab width	S401	25	23'-8"	23'-8" (secant skew angle)
	S402	* 48	2'-8"	
	S403	8	23'-8"	23'-8" (secant skew angle)
	S404	* 50	3'-0"	
	S501	48	36'-2"	
36'-0" slab width	S401	25	35'-8"	35'-8" (secant skew angle)
	S402	* 72	2'-8"	
	S403	8	35'-8"	35'-8" (secant skew angle)
	S404	* 50	3'-0"	
	S501	72	36'-2"	

\* Varies with skew angle. The number shown is for square bridges.

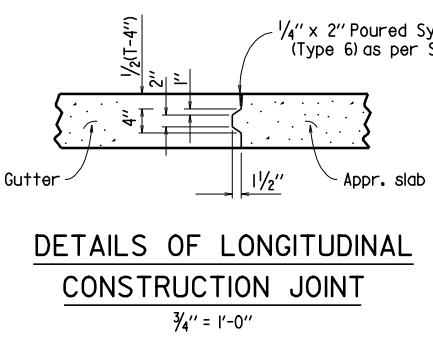
TABLE OF QUANTITIES FOR ONE SQUARE APPROACH SLAB

Slab Width	Reinforcing Steel	Concrete (Cu. Yds.)			
		T= 9"	T= 10"	T= 11"	T= 12"
15'-0"	1609 lb.	21.43	23.12	24.81	26.50
24'-0"	2518 lb.	34.29	36.99	39.69	42.39
36'-0"	3731 lb.	51.44	55.49	59.54	63.59

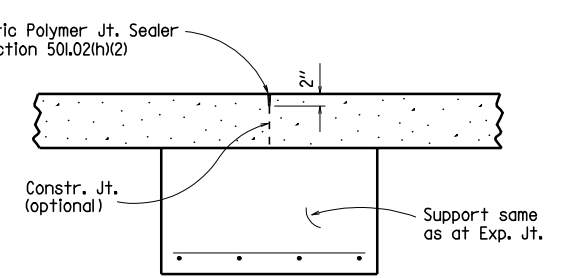
GENERAL NOTES

Concrete shall be Class S or Class S(AE) or mixture used for Portland Cement Concrete Pavement.  
Reinforcing Steel shall conform to AASHTO M31 or M53, Grade 60 (fy = 60,000 psi).  
Approach Slabs and Approach Gutters will be measured and paid for in accordance with Section 504 of the Standard Specifications.

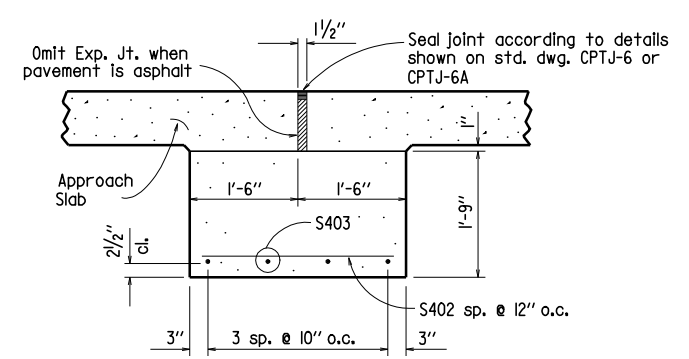
Revised and redrawn 4-10-2003. By KDH Ck. By: CJF 4-10-2003



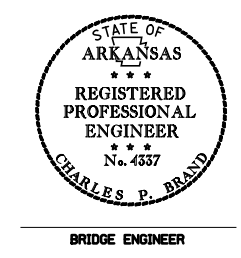
DETAILS OF LONGITUDINAL CONSTRUCTION JOINT



DETAILS OF DUMMY GROOVED JOINT



DETAILS OF SUPPORT AT EXPANSION JOINT



BRIDGE ENGINEER

DETAILS OF APPROACH SLAB

ROUTE SEC.  
ARKANSAS STATE HIGHWAY COMMISSION  
LITTLE ROCK, ARK.

DRAWN BY: KDH DATE: 4-10-2003 FILENAME: B2017.STD  
CHECKED BY: CJF DATE: 4-10-2003 SCALE: AS SHOWN  
DESIGNED BY: STD. DATE: \_\_\_\_\_  
BRIDGE NO. DRAWING NO. 2017