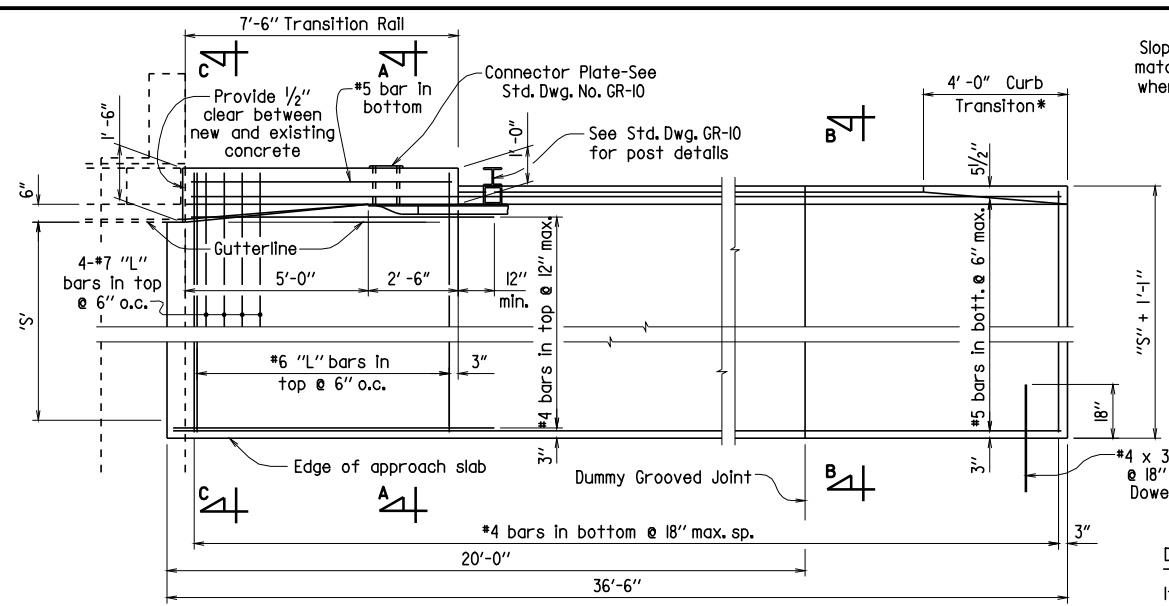


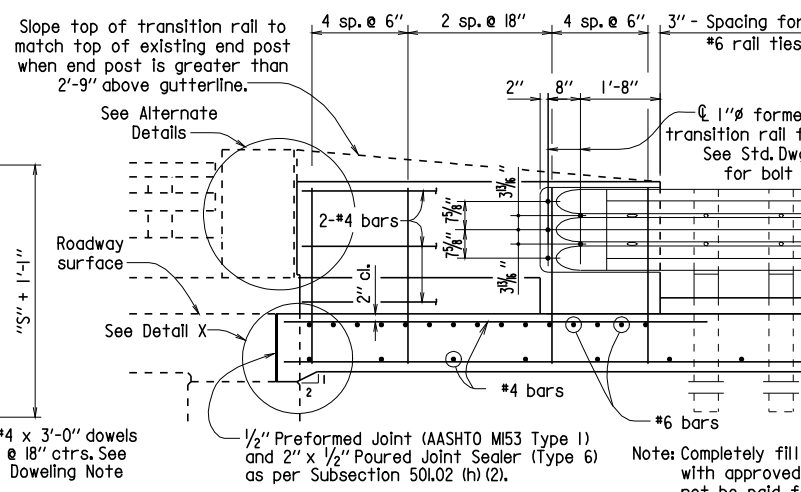
DATE REVISED	DATE FILMED	DATE REVISED	DATE FILMED	FED. ROAD DIST. NO.	STATE	FED. AID PROJ. NO.	SHEET NO.	TOTAL SHEETS
4-10-2003				6	ARK.			

JOB NO. TYPE AT APPR. GUTTER - 2092



PLAN - SQUARE BRIDGES

Scale: 3/8" = 1'-0"
 'S' = Distance from gutterline to edge of approach slab.



LONGITUDINAL SECTION THRU GUTTER

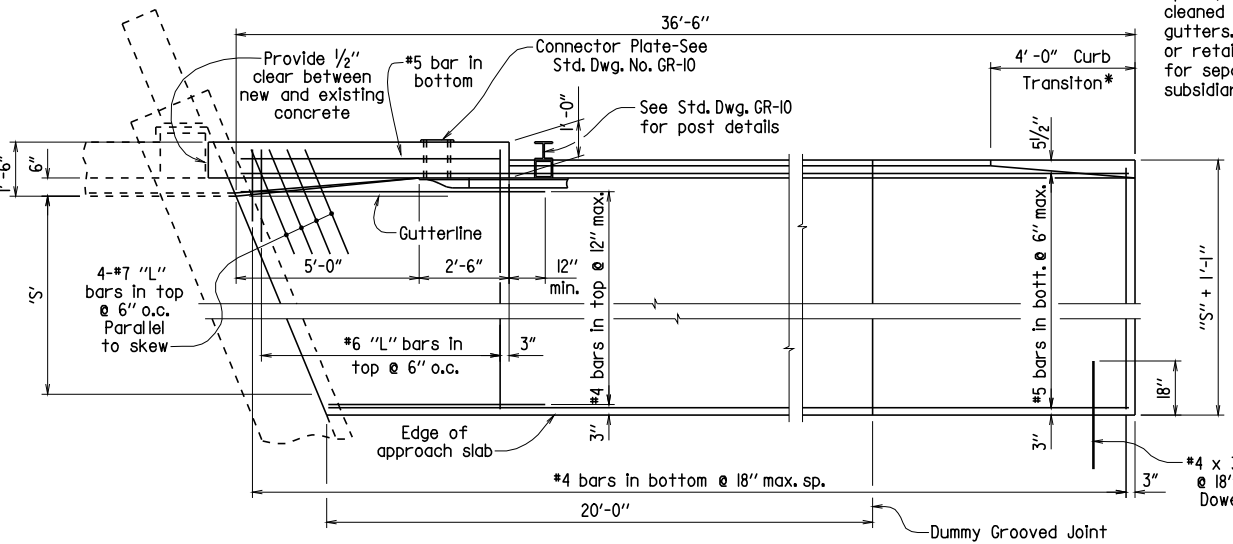
Scale: 1/2" = 1'-0"

* Construct curb with height-transition as shown if drop inlet is not used at end of gutter.
 Construct curb full height (no height-transition) if drop inlet is used at end of gutter. Curb height transition placed on drop inlet. See drop inlet details.

DOWELING NOTE

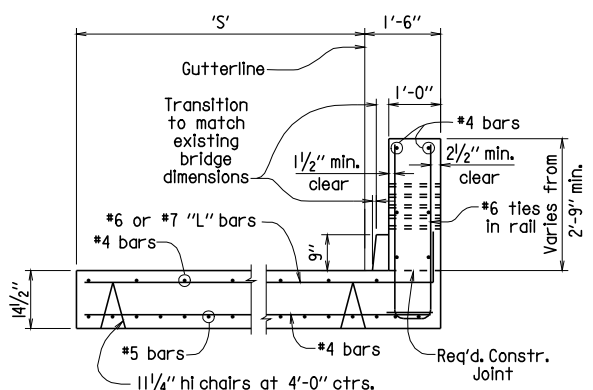
If new approach slab is used, place dowels into approach slab using 18" embedment.

If existing approach slab is retained, dowels shall be drilled and grouted 18" into existing slab. At the Contractor's option, existing dowels may be retained, cleaned and incorporated into new gutters. Work for drilling and grouting, or retaining and cleaning will not be paid for separately but will be considered subsidiary to 'Approach Gutters (Type AT)'.



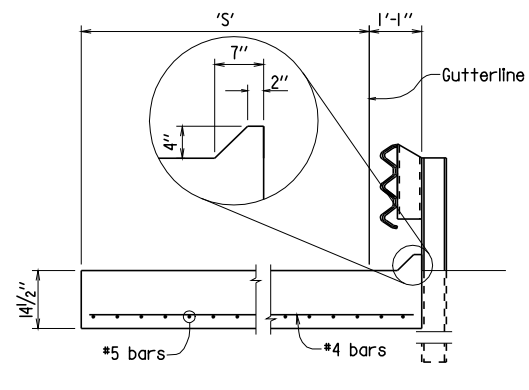
PLAN - SKEWED BRIDGES

Scale: 3/8" = 1'-0"



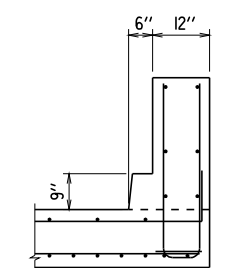
SECTION A-A

Scale: 1/2" = 1'-0"

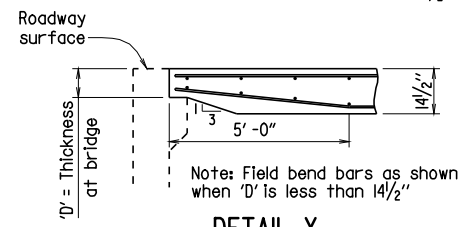


SECTION B-B

Scale: 1/2" = 1'-0"

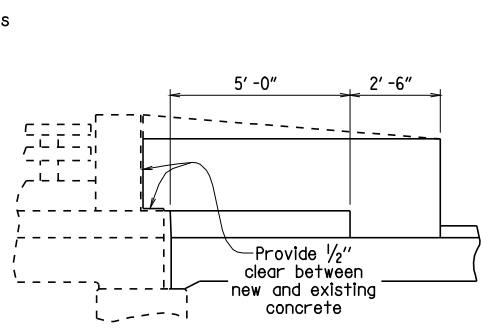


SECTION C-C
 At end of Transition Rail
 Scale: 1/2" = 1'-0"



DETAIL X

Scale: 3/8" = 1'-0"



ALTERNATE DETAILS

No Scale

BENDING DIAGRAMS

Place leg vertical into transition rail

As needed to provide 2" end cover

As needed to provide 2" end cover

Place leg vertical into transition rail

Dimensions are out to out of bars.

QUANTITIES FOR ONE SQUARE APPROACH GUTTER

'S'	Concrete	Reinforcing Steel
5'-6"	12.06 cu.yd.	1091 lb.
9'-6"	18.78 cu.yd.	1573 lb.

GENERAL NOTES

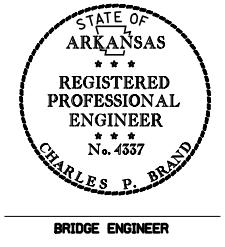
Concrete shall be Class S or S(AE) or mixture used for Portland Cement Concrete Pavement.
 Reinforcing steel shall conform to AASHTO M31 or M53, Grade 60 (fy = 60,000 psi.) Fabricate bar lengths to provide 2" minimum cover at each end.
 Approach gutters will be measured and paid for in accordance with Section 504 of the Standard Specifications.

Revised and redrawn 4-10-2003. By KDH Ck. By: CJF 4-10-2003

DETAILS OF STANDARD TYPE 'AT' APPROACH GUTTERS (BRIDGES WITH 6" CURB WIDTH & TYPE A RAILING)

ROUTE SEC. ARKANSAS STATE HIGHWAY COMMISSION
 LITTLE ROCK, ARK.

DRAWN BY: KDH DATE: 4-10-2003 FILENAME: B2092.STD
 CHECKED BY: CJF DATE: 4-10-2003 SCALE: AS NOTED
 DESIGNED BY: STD. DATE: BRIDGE NO. DRAWING NO. 2092



BRIDGE ENGINEER