

DATE REVISED	DATE FILMED	DATE REVISED	DATE FILMED	FED. ROAD DIST. NO.	STATE	FED. AID PROJ. NO.	SHEET NO.	TOTAL SHEETS
09-20-2007				6	ARK.			
10-15-2009								

NAME PLATES 2389A

GENERAL NOTES

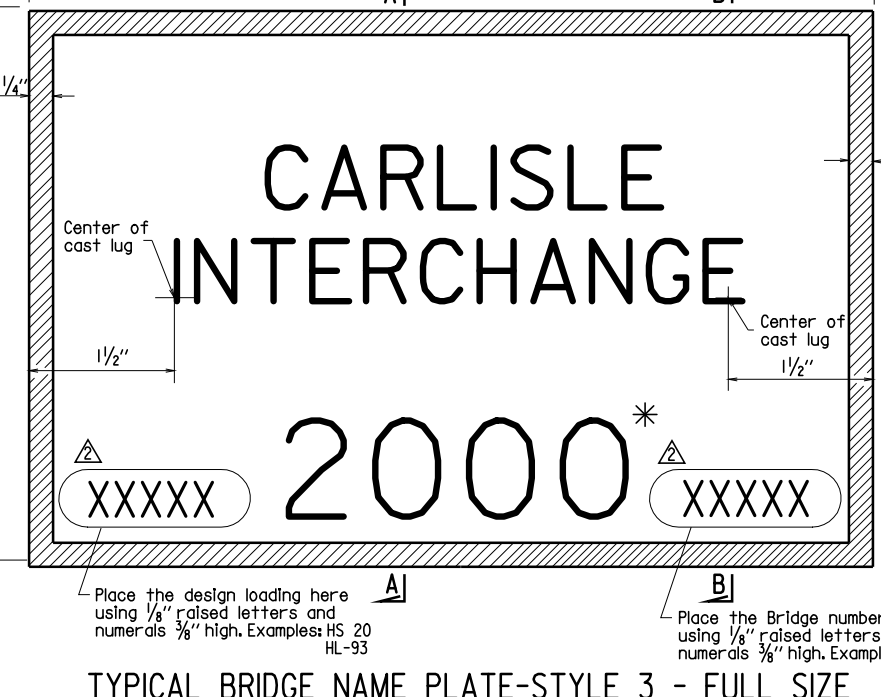
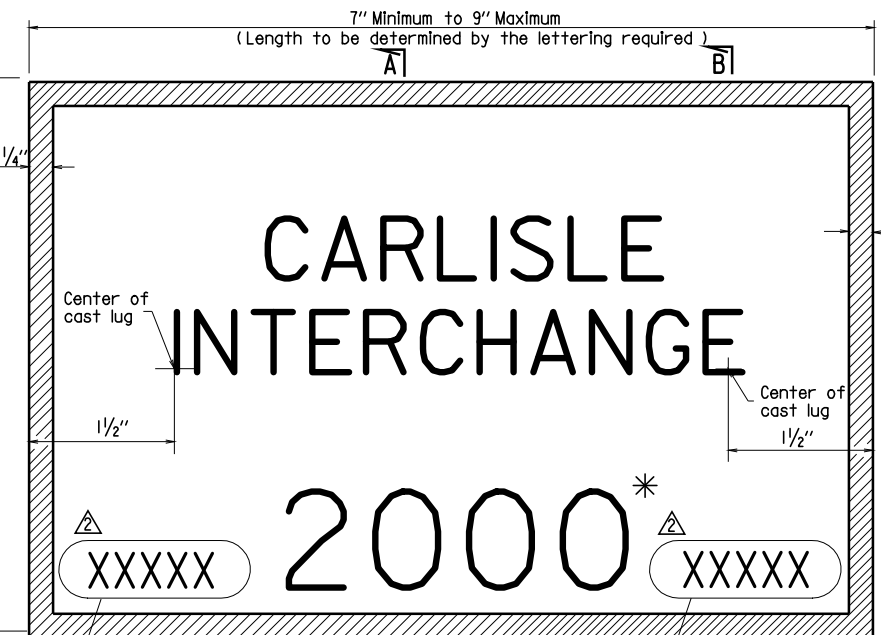
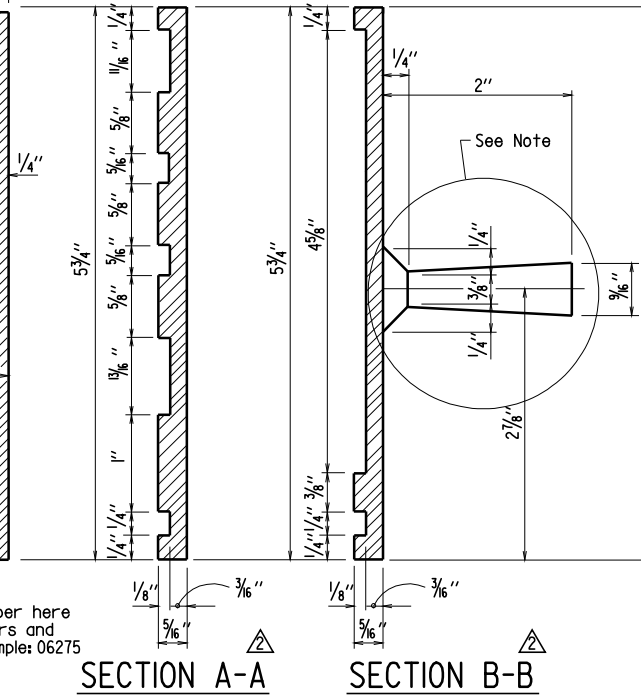
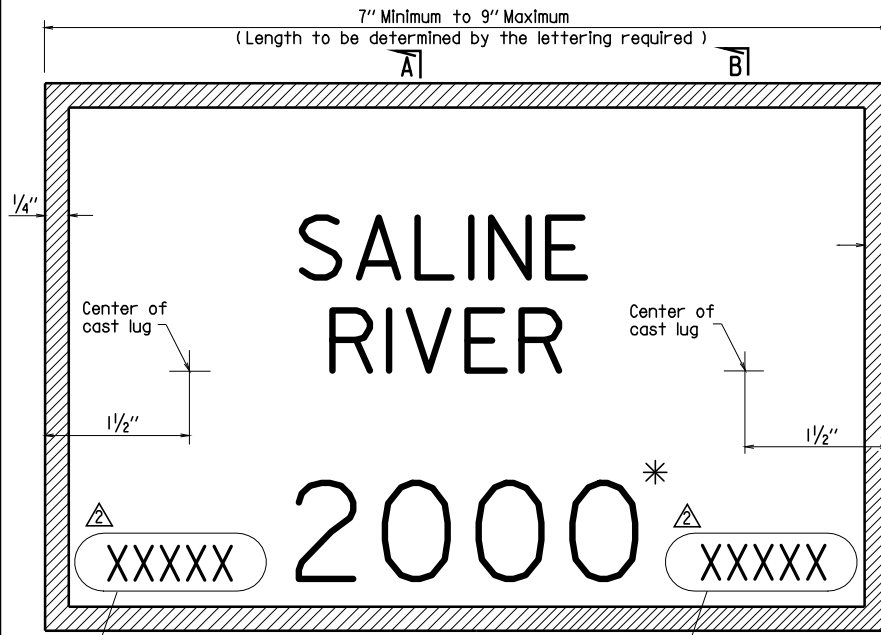
Specifications: Arkansas State Highway and Transportation Department Standard Specifications for Highway Construction, (2003 Edition) with applicable Supplemental Specifications and Special Provisions.

Name plates shall be cast bronze and shall meet the material requirements as specified in Section 812 of the Standard Specifications.

Body of plate shall be $\frac{3}{16}$ " thick and shall include two tapering cone lugs $\frac{3}{8}$ " to $\frac{5}{16}$ " x 2" long. The border and all lettering shall be raised $\frac{1}{8}$ " above the face of plate and shall be polished.

All lettering shall be plain gothic, square cut and not tapered.

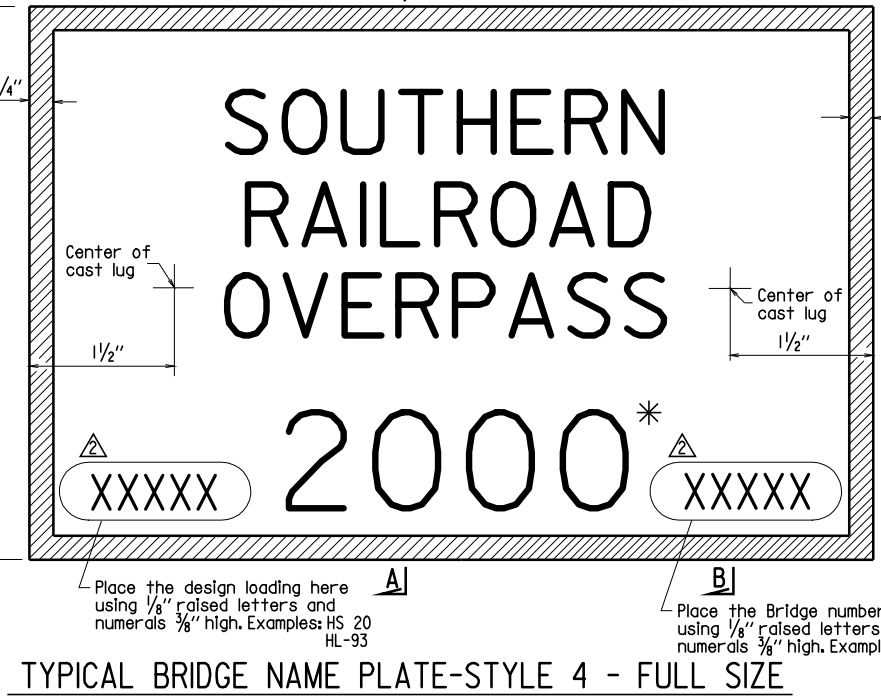
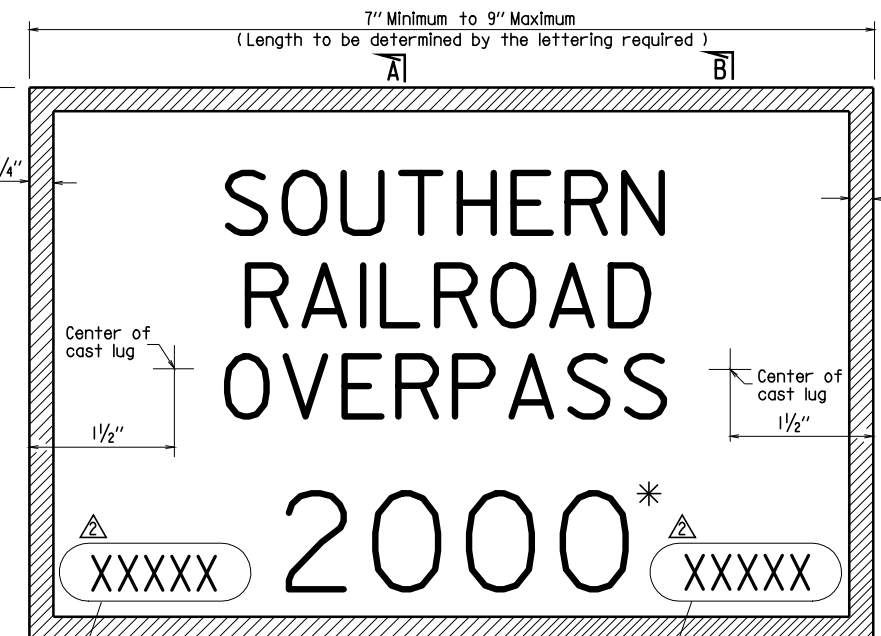
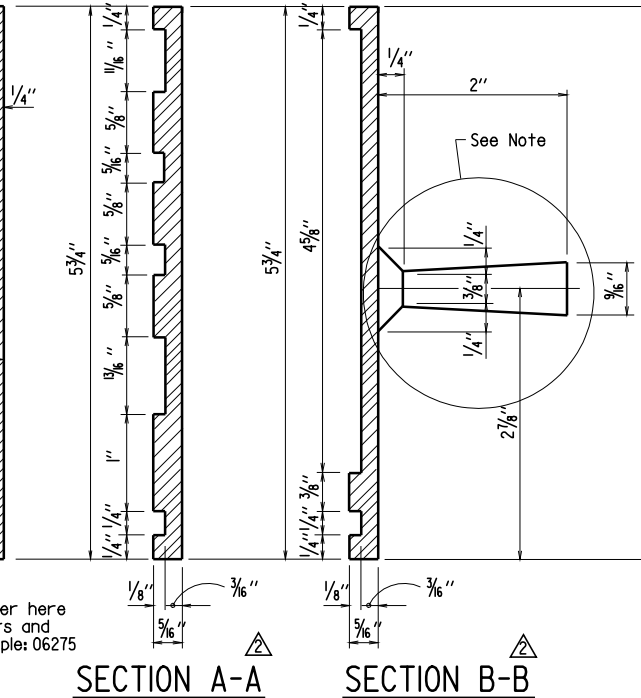
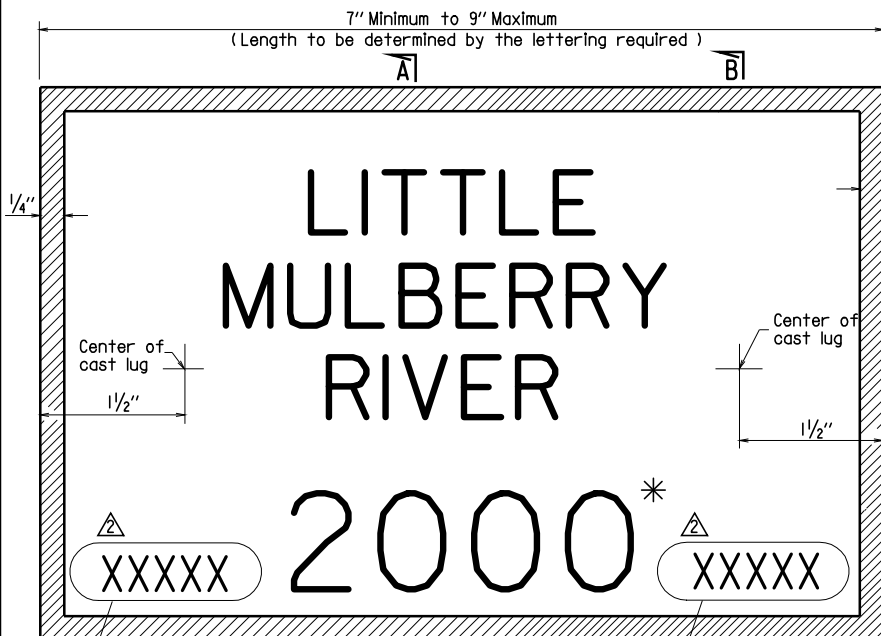
The number of plates required and the location and name on the plate for each bridge shall be as designated on the plans.



TYPICAL BRIDGE NAME PLATE-STYLE 1 - FULL SIZE
STREAM CROSSINGS

TYPICAL BRIDGE NAME PLATE-STYLE 3 - FULL SIZE
GRADE SEPARATION STRUCTURES

Note: Alternate attachments may be used provided such attachments are submitted and approval secured before fabrication is begun.



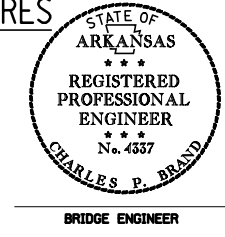
TYPICAL BRIDGE NAME PLATE-STYLE 2 - FULL SIZE
STREAM CROSSINGS

TYPICAL BRIDGE NAME PLATE-STYLE 4 - FULL SIZE
GRADE SEPARATION STRUCTURES

* Year in which contract is awarded.

Revised Design Loading and Bridge Number to Raised Letters and Numerals MJT 10-15-2009
Chk'd. By: CJF 10-15-2009

Revised and redrawn MJT 09-20-2007
Chk'd. By: CJF 09-20-2007



DETAILS OF STANDARD
TYPE C BRIDGE NAME PLATES

ROUTE SEC.
ARKANSAS STATE HIGHWAY COMMISSION
LITTLE ROCK, ARK.

DRAWN BY: MJT DATE: 09-20-2007 FILENAME: B2389A.STD
CHECKED BY: CJF DATE: 09-20-2007 SCALE: NOT TO SCALE
DESIGNED BY: STD. DATE: —
BRIDGE NO. DRAWING NO. 2389A