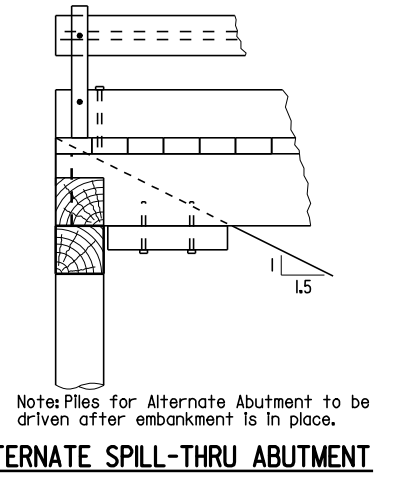
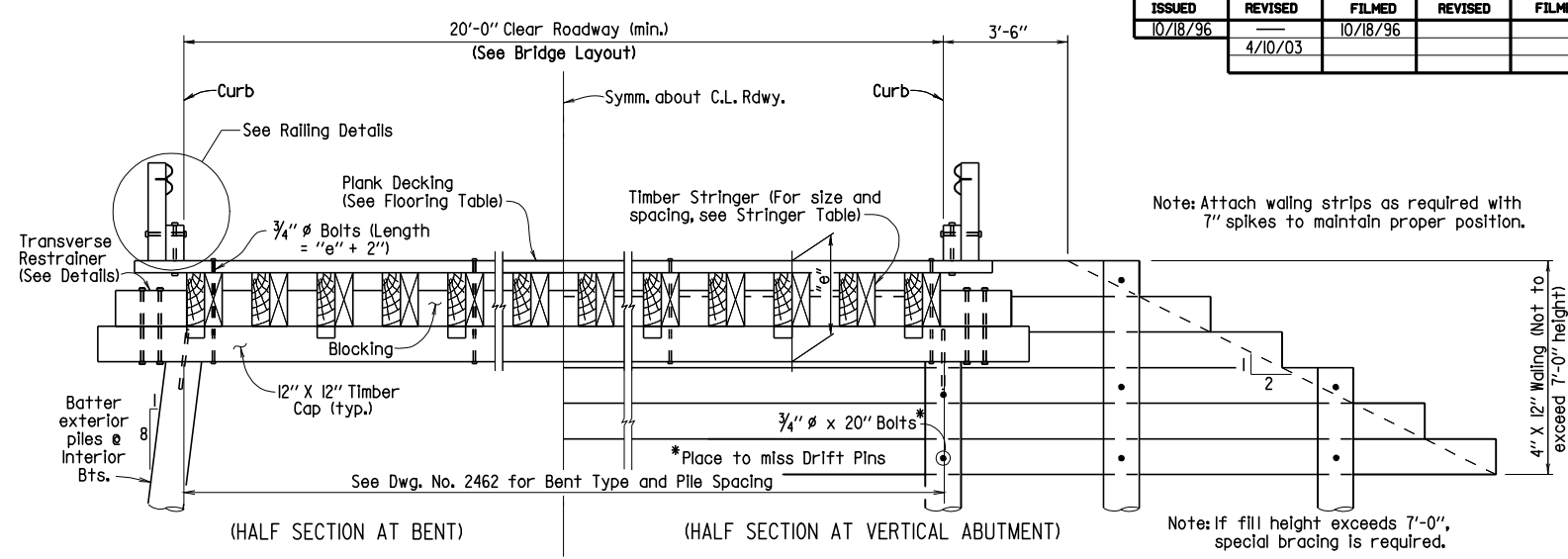
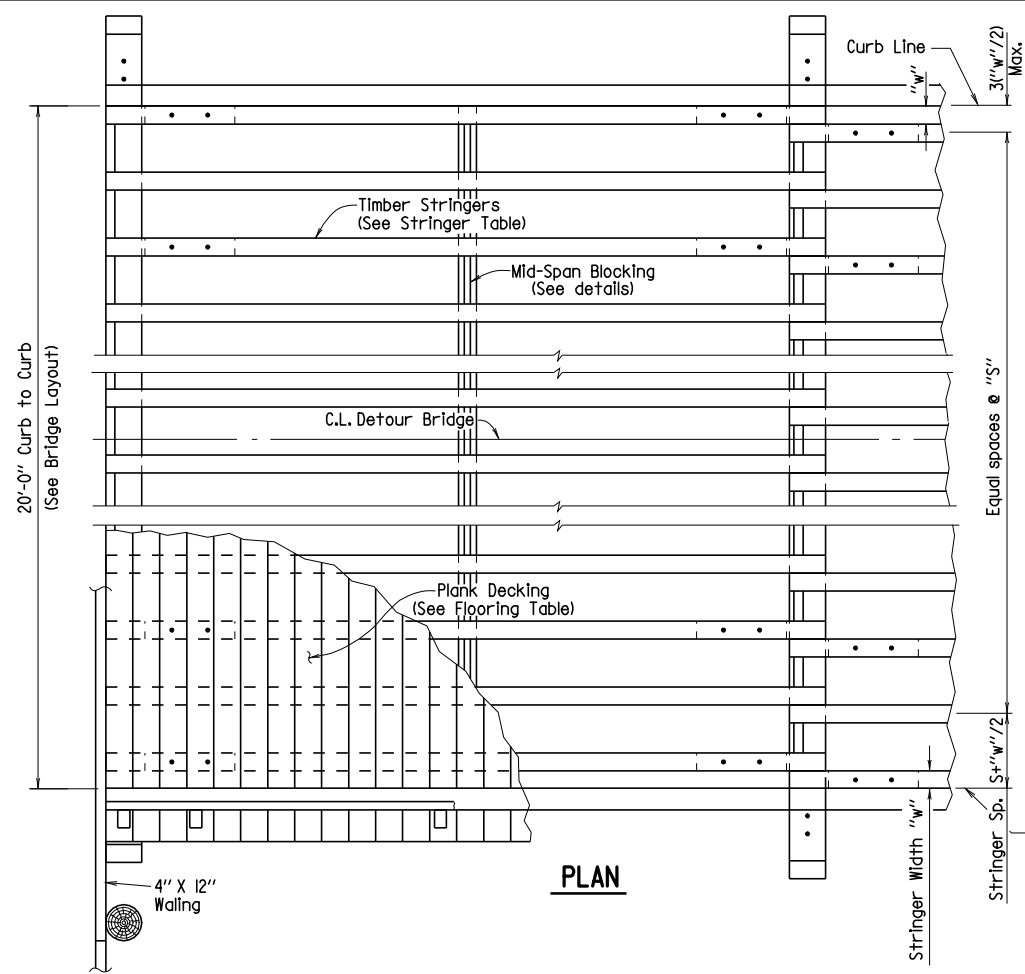


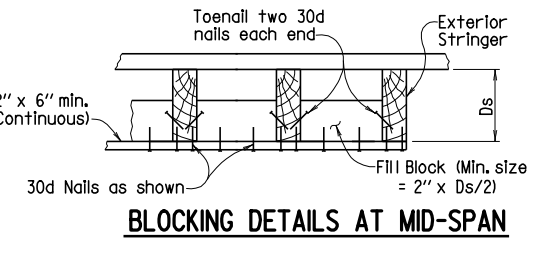
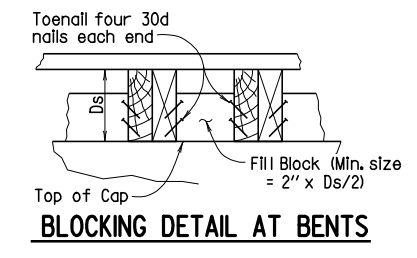
DATE ISSUED	DATE REVISED	DATE FILMED	DATE REVISED	DATE FILMED	FED. ROAD DIST. NO.	STATE	FED. AID PROJ. NO.	SHEET NO.	TOTAL SHEETS
10/18/96	4/10/03	10/18/96			6	ARK.			
JOB NO.								1	2461



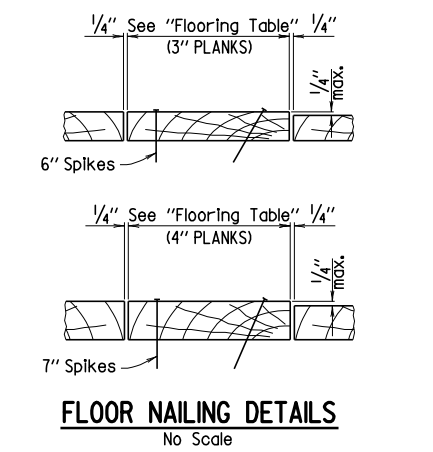
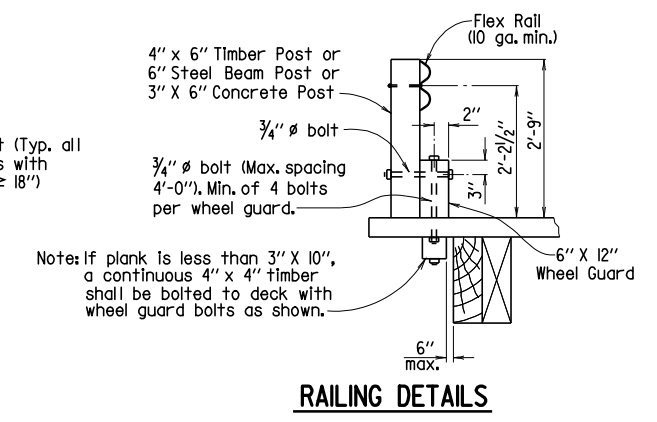
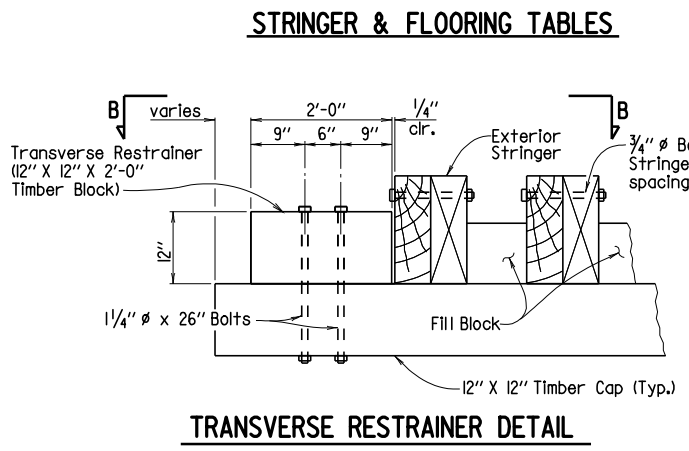
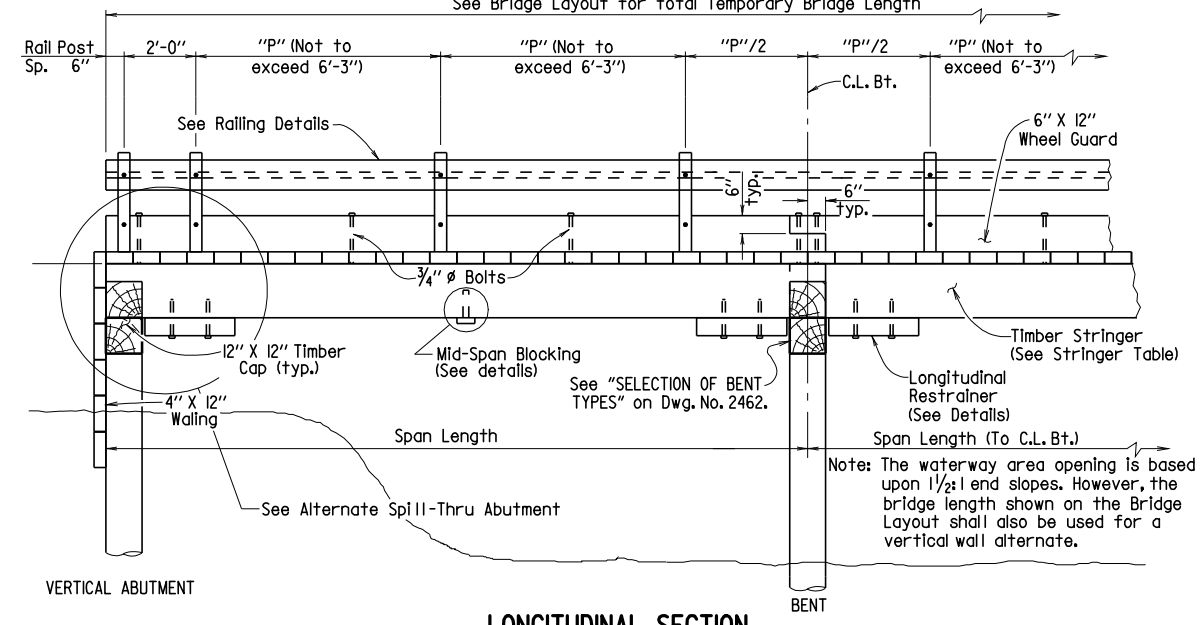
STRINGER SIZE (NOMINAL)	MAX. STRINGER SPACING "S"	PLANK SIZE (NOMINAL)
4" X 12"	14.5"	3" X 6"
4" X 14"	16.5"	3" X 8"
6" X 12"	18.0"	3" X 10"
4" X 16"	19.5"	3" X 12"
6" X 14"	21.5"	4" X 8"
6" X 16"	24.0"	4" X 10"
6" X 18"	26.5"	4" X 12"

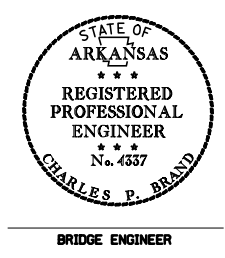
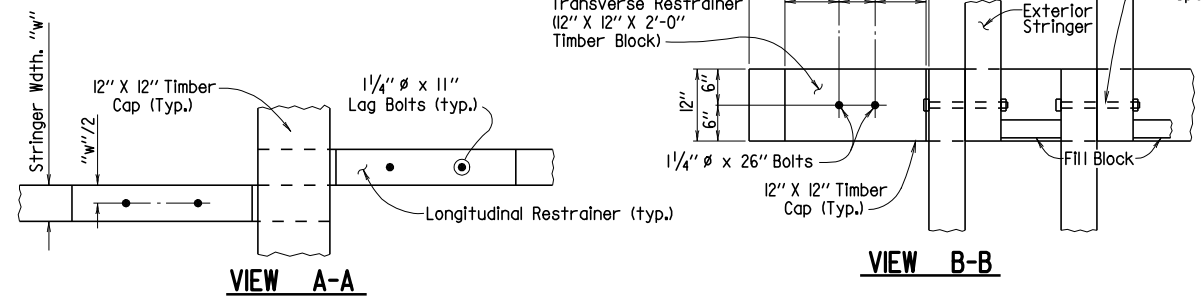
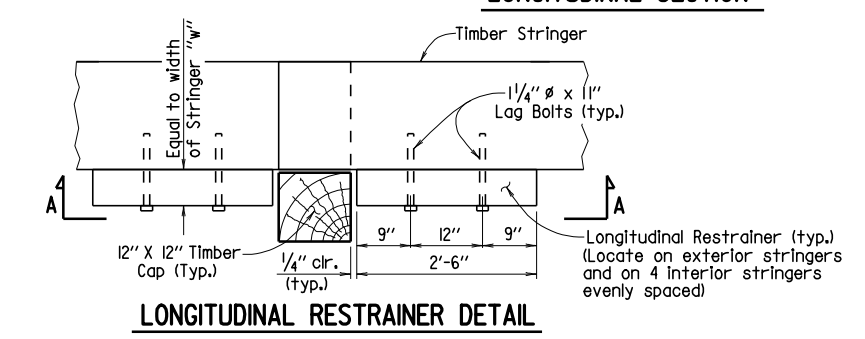
STRINGER SIZE (NOMINAL)	8.0	10.0	12.0	14.5	15.0	16.5	18.0	19.5	21.5	24.0	26.5
4" X 12"	16	17	15								
4" X 14"		21	16								
6" X 12"			19	16							
4" X 16"	26	22	21	18	17	16	15				
6" X 14"			26	23	22	20	19	18	16		
6" X 16"			31	28	27	25	23	22	20	18	16
6" X 18"								31	31	30	27



Note: Blocking details shown are for Bents. Details of blocking at Abutments are similar, except that depth of fill block shall be equal to Ds if Alternate Spill-Thru Abutment is used.



Note: Planks used in plank floors shall be graded as to thickness and so laid that no two adjacent planks shall vary in thickness by more than 1/4".



**SHEET 1 OF 2**  
**DETAILS OF**  
**STANDARD TEMPORARY BRIDGE STRUCTURE**  
**TIMBER SPANS**  
**20'-0" ROADWAY WIDTH**  
 ROUTE SEC.  
**ARKANSAS STATE HIGHWAY COMMISSION**  
 LITTLE ROCK, ARK.  
 DRAWN BY: MJT DATE: 10-18-96  
 CHECKED BY: GEC DATE: 10-18-96 SCALE: NO SCALE  
 DESIGNED BY: Std. DATE: \_\_\_\_\_  
 BRIDGE NO. DRAWING NO. 2461