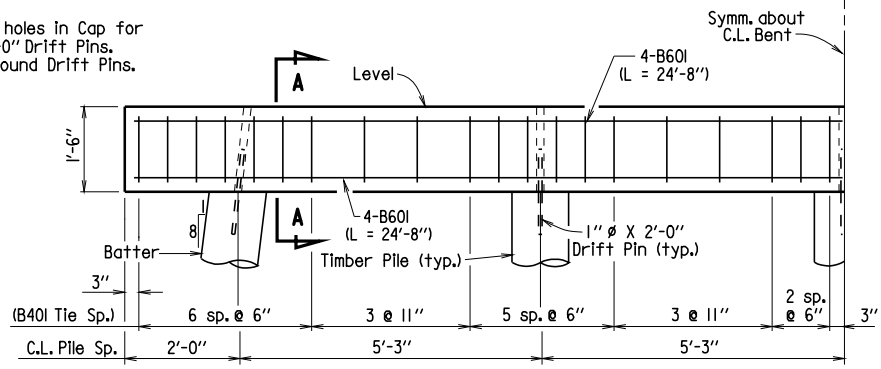


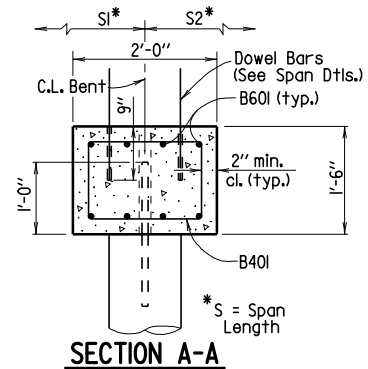
DATE ISSUED	DATE REVISED	DATE FILMED	DATE REVISED	DATE FILMED	FED. ROAD DIST. NO.	STATE	FED. AID PROJ. NO.	SHEET NO.	TOTAL SHEETS
10/18/96		10/18/96			6	ARK.			
	4/10/03								
JOB NO.								1	TEMP. BRIDGE
								2464	

NOTE: ALL PRECAST SPANS SHALL BE FIXED TO THE CAP WITH A MINIMUM OF 2 DOWELS AT EACH END OF SPAN.

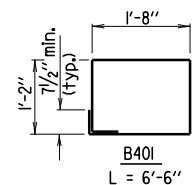
Note: Use 2" ϕ holes in Cap for 1" ϕ x 2'-0" Drift Pins. Grout around Drift Pins.



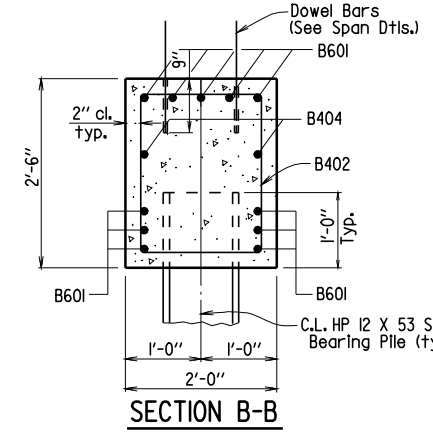
ELEVATION
PRECAST CAP & TIMBER PILES
(SI + S2 \leq 44')



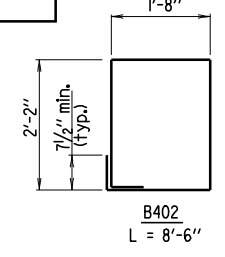
SECTION A-A



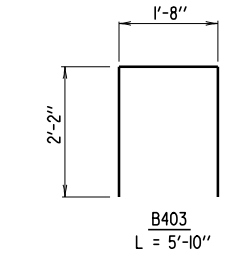
B401
L = 6'-6"



SECTION B-B



B402
L = 8'-6"

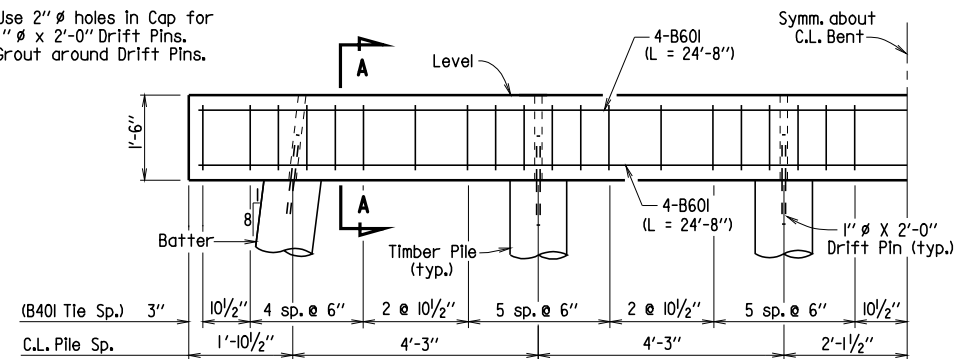


B403
L = 5'-10"

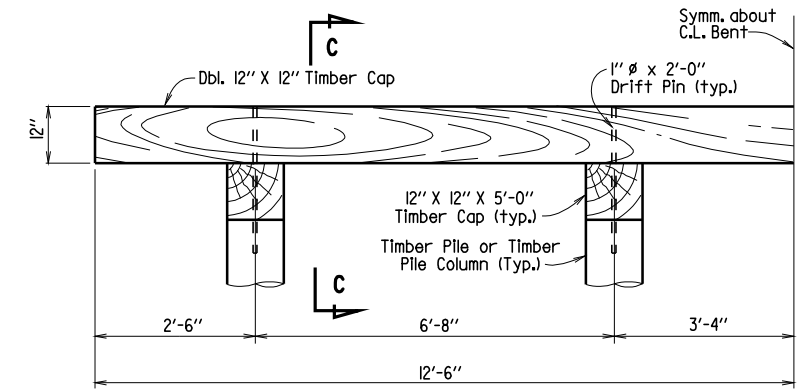
SELECTION OF BENT TYPES

- These temporary bridge drawings provide the following bent types:
- Driven timber piles with precast concrete cap.
 - Driven steel HP 12 X 53 piles with cast in place concrete cap.
 - Tower bent with driven timber piles and timber cap.
 - Mud sill with timber pile columns and precast concrete cap.
 - Tower bent with mud sill and timber pile columns and timber cap.
- Guidelines to be used in determining the appropriate bent type are:
- 1) Driven piles may be used at intermediate bents if a pile penetration of at least 15' below the ground line can be obtained. At end bents, a pile penetration of at least 5' below the bottom of cap is required. Pile penetration measurements at end bents can include embankment, but fill material may not be placed around intermediate bent piles in order to meet the 15' requirement.
 - 2) If driven piles are used at intermediate bents and the distance from the bottom of cap to ground line exceeds 15' at any intermediate bent, tower bents must be used at the minimum rate of one tower bent for every 160' of total bridge length. Tower bents, when required, shall be placed at the bent location(s) having the greatest distance from bottom of cap to ground line.
 - 3) If piles cannot be practically driven at a bent, mud sills shall be used. All soft and yielding material shall be removed from the bearing area before placing the sill concrete.
 - 4) Timber piles shall be used as columns in mud sills. The column spacing shall be the same as that used for driven timber pile bents for the appropriate span lengths involved.
 - 5) If a mud sill is to be used and the distance from the bottom of cap to ground line is more than 10', a tower bent with mud sill must be used at that location.
 - 6) A timber cap may be used only if tower bents are used.

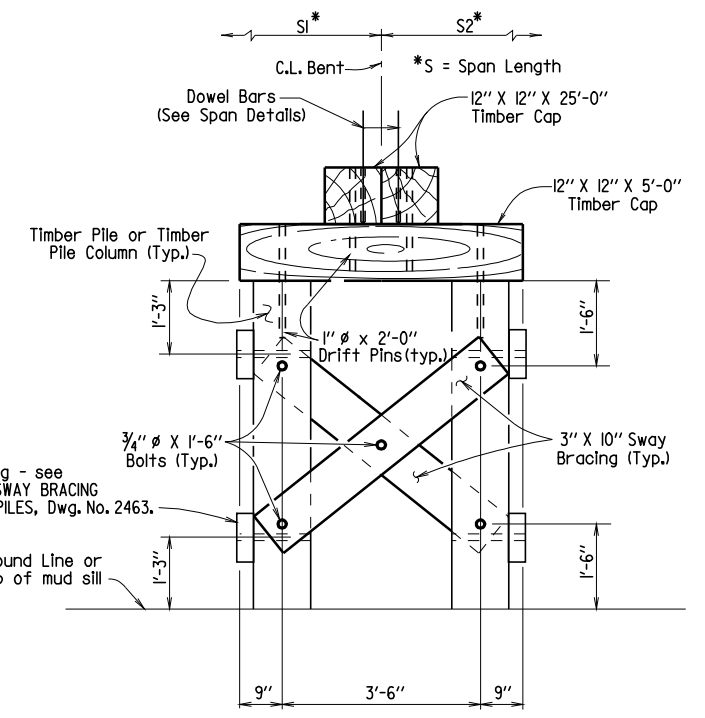
Note: Use 2" ϕ holes in Cap for 1" ϕ x 2'-0" Drift Pins. Grout around Drift Pins.



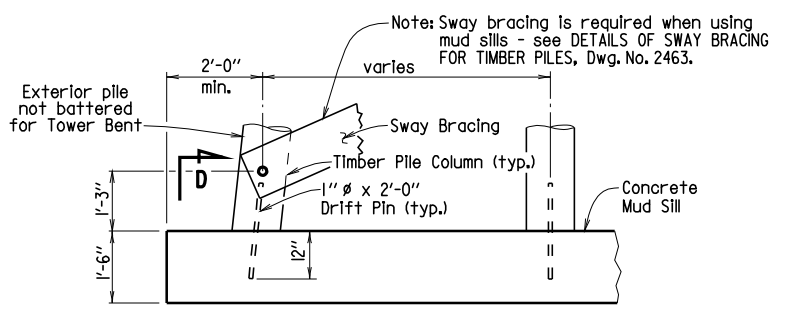
ELEVATION
PRECAST CAP & TIMBER PILES
(44' < SI + S2 \leq 62')



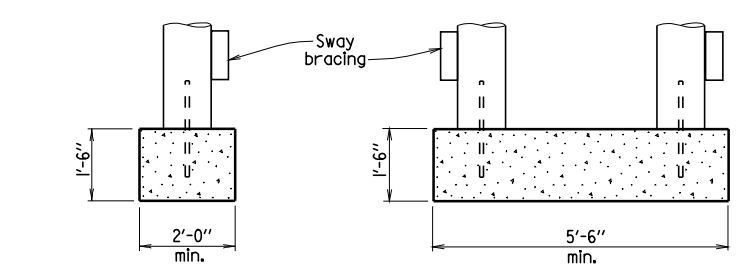
ELEVATION
TOWER BENT - TIMBER CAP & PILES



SECTION C-C



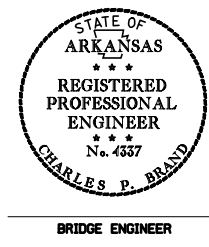
PART ELEVATION
MUD SILL DETAILS



SECTION D-D
(When bottom of cap to top of mud sill is 10' or less)

SECTION D-D
(When bottom of cap to top of mud sill is greater than 10')

Revised for CPB SEAL, dbs 4-10-03 Ck'd by: CJF 4-10-03



SHEET 2 OF 2
DETAILS OF
STANDARD TEMPORARY BRIDGE STRUCTURE
PRECAST CONCRETE SPANS
20'-0" ROADWAY WIDTH
ROUTE SEC.
ARKANSAS STATE HIGHWAY COMMISSION
LITTLE ROCK, ARK.

DRAWN BY: MJT DATE: 10-18-96
CHECKED BY: GEC DATE: 10-18-96 SCALE: NO SCALE
DESIGNED BY: Std. DATE: _____
BRIDGE NO. _____ DRAWING NO. 2464