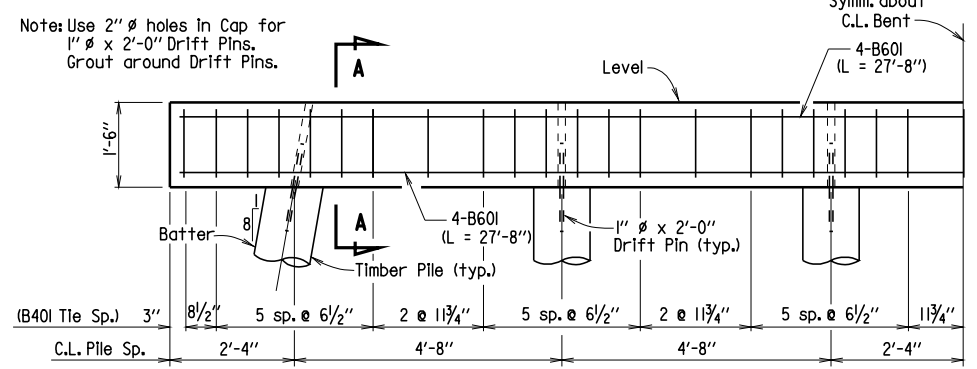
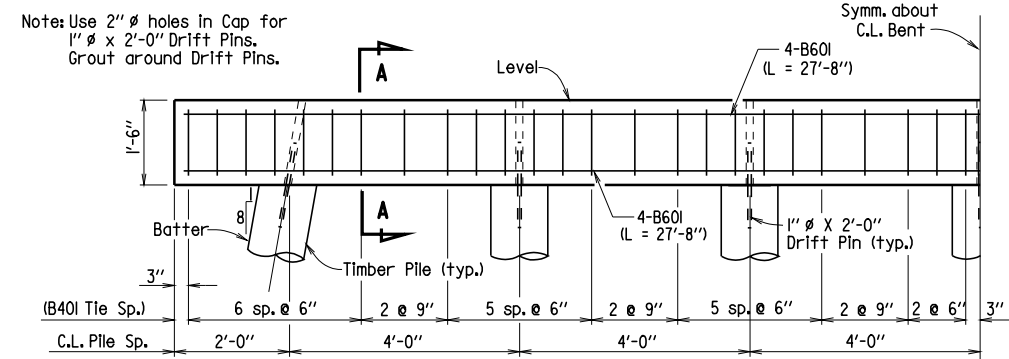


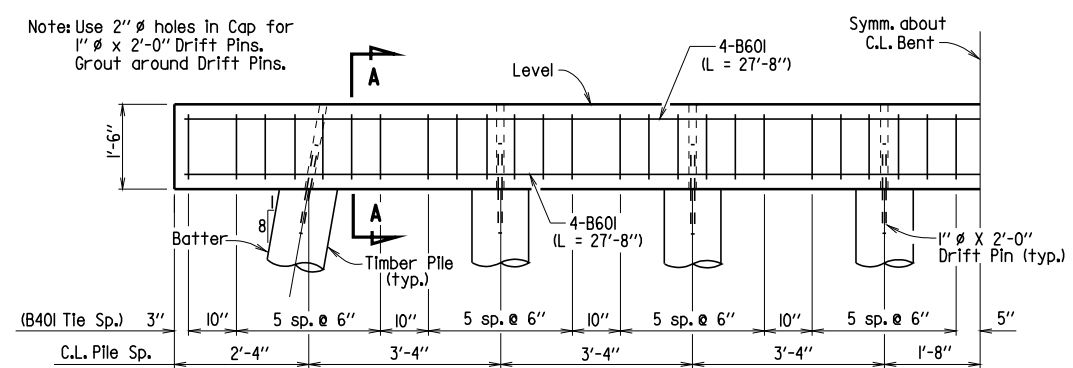
DATE ISSUED	DATE REVISED	DATE FILMED	DATE REVISED	DATE FILMED	FED. ROAD DIST. NO.	STATE	FED. AID PROJ. NO.	SHEET NO.	TOTAL SHEETS
10/18/96		10/18/96			6	ARK.			
	04/10/03								
JOB NO.								1	TEMP. BRIDGE 2467



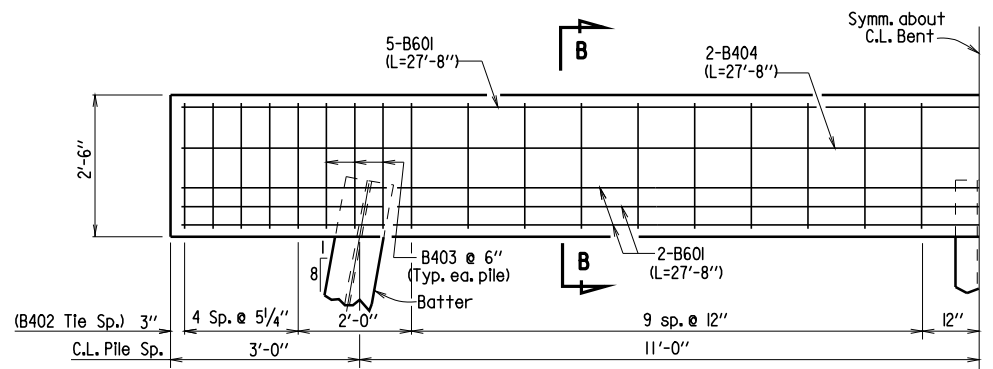
**ELEVATION  
PRECAST CAP & TIMBER PILES  
(SI + S2 ≤ 38')**



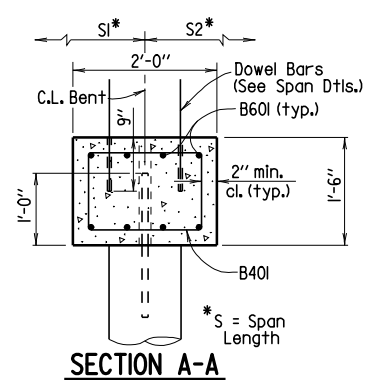
**ELEVATION  
PRECAST CAP & TIMBER PILES  
(38' < SI + S2 ≤ 50')**



**ELEVATION  
PRECAST CAP & TIMBER PILES  
(50' < SI + S2 ≤ 62')**

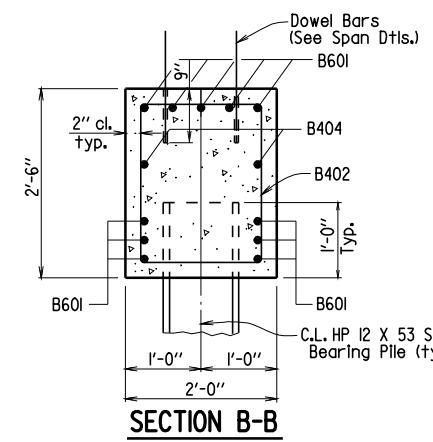


**ELEVATION  
CAST IN PLACE CAP & HP 12X53 PILES**

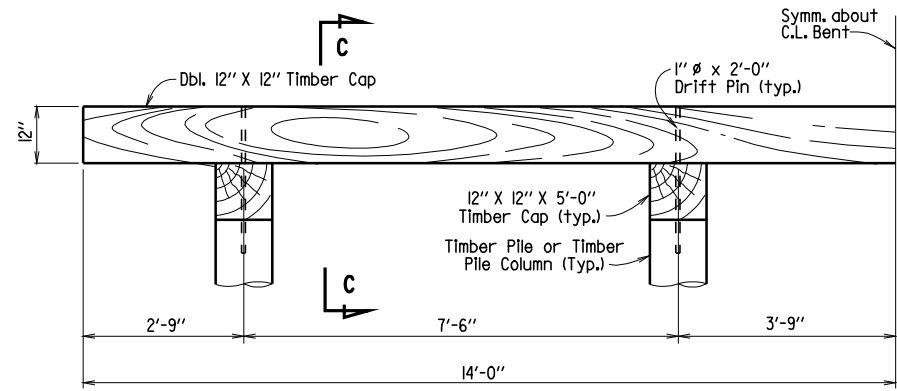


**SECTION A-A**

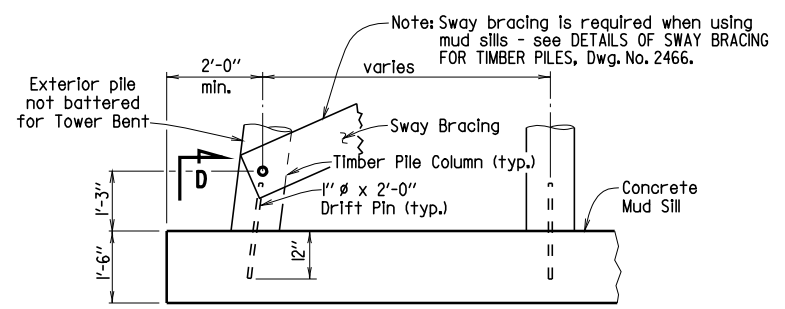
**NOTE: ALL PRECAST SPANS SHALL BE FIXED TO THE CAP WITH A MINIMUM OF 2 DOWELS AT EACH END OF SPAN.**



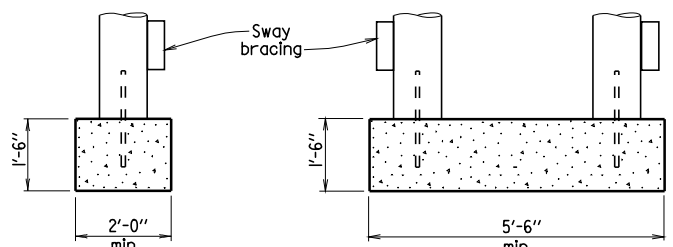
**SECTION B-B**



**ELEVATION  
TOWER BENT - TIMBER CAP & PILES**



**PART ELEVATION  
MUD SILL DETAILS**



**SECTION D-D**

(When bottom of cap to top of mud sill is 10' or less)

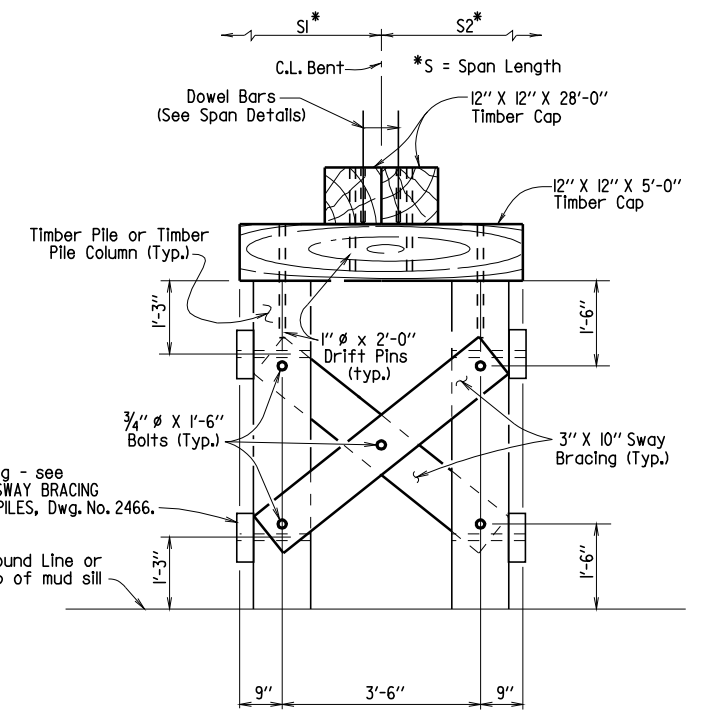
**SECTION D-D**

(When bottom of cap to top of mud sill is greater than 10')

**SELECTION OF BENT TYPES**

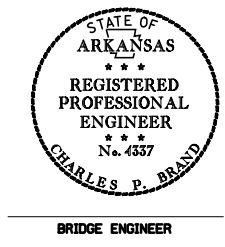
- These temporary bridge drawings provide the following bent types:
- Driven timber piles with precast concrete cap.
  - Driven steel HP 12X53 piles with cast in place concrete cap.
  - Tower bent with driven timber piles and timber cap.
  - Mud sill with timber pile columns and precast concrete cap.
  - Tower bent with mud sill and timber pile columns and timber cap.

- Guidelines to be used in determining the appropriate bent type are:
- 1) Driven piles may be used at intermediate bents if a pile penetration of at least 15' below the ground line can be obtained. At end bents, a pile penetration of at least 5' below the bottom of cap is required. Pile penetration measurements at end bents can include embankment, but fill material may not be placed around intermediate bent piles in order to meet the 15' requirement.
  - 2) If driven piles are used at intermediate bents and the distance from the bottom of cap to ground line exceeds 15' at any intermediate bent, tower bents must be used at the minimum rate of one tower bent for every 160' of total bridge length. Tower bent(s), when required, shall be placed at the bent location(s) having the greatest distance from bottom of cap to ground line.
  - 3) If piles cannot be practically driven at a bent, mud sills shall be used. All soft and yielding material shall be removed from the bearing area before placing the sill concrete.
  - 4) Timber piles shall be used as columns in mud sills. The column spacing shall be the same as that used for driven timber pile bents for the appropriate span lengths involved.
  - 5) If a mud sill is to be used and the distance from the bottom of cap to ground line is more than 10', a tower bent with mud sill must be used at that location.
  - 6) A timber cap may be used only if tower bents are used.



**SECTION C-C**

Revised for CPB Seal, CRE 04-10-2003  
Chk'd By: CJF 04-13-2003



**SHEET 2 OF 2  
DETAILS OF  
STANDARD TEMPORARY BRIDGE STRUCTURE  
PRECAST CONCRETE SPANS  
24'-0" ROADWAY WIDTH  
ROUTE SEC.  
ARKANSAS STATE HIGHWAY COMMISSION  
LITTLE ROCK, ARK.**

**DRAWN BY:** MJT **DATE:** 10-18-96  
**CHECKED BY:** GEC **DATE:** 10-18-96 **SCALE:** NO SCALE  
**DESIGNED BY:** S.t.d. **DATE:** \_\_\_\_\_  
**BRIDGE NO.** \_\_\_\_\_ **DRAWING NO.** 2467