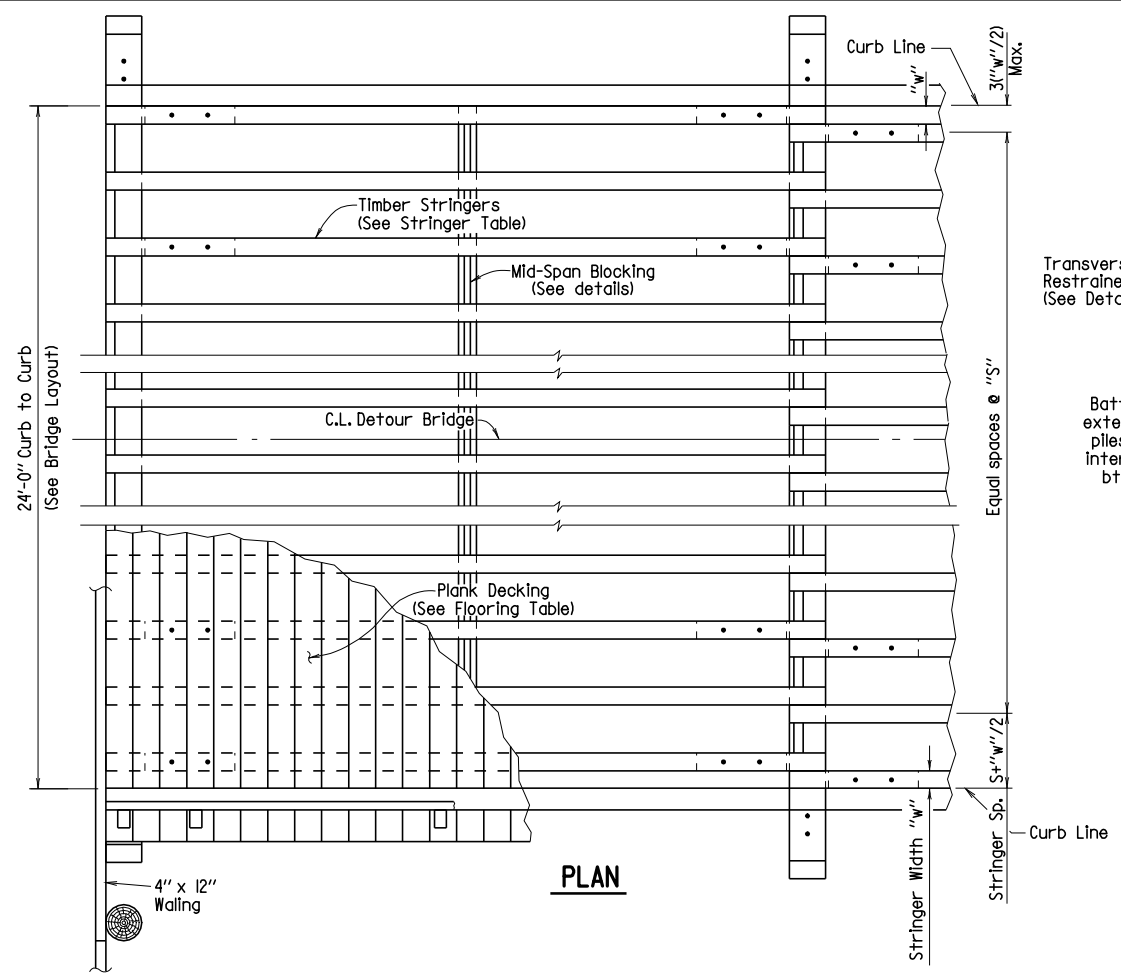
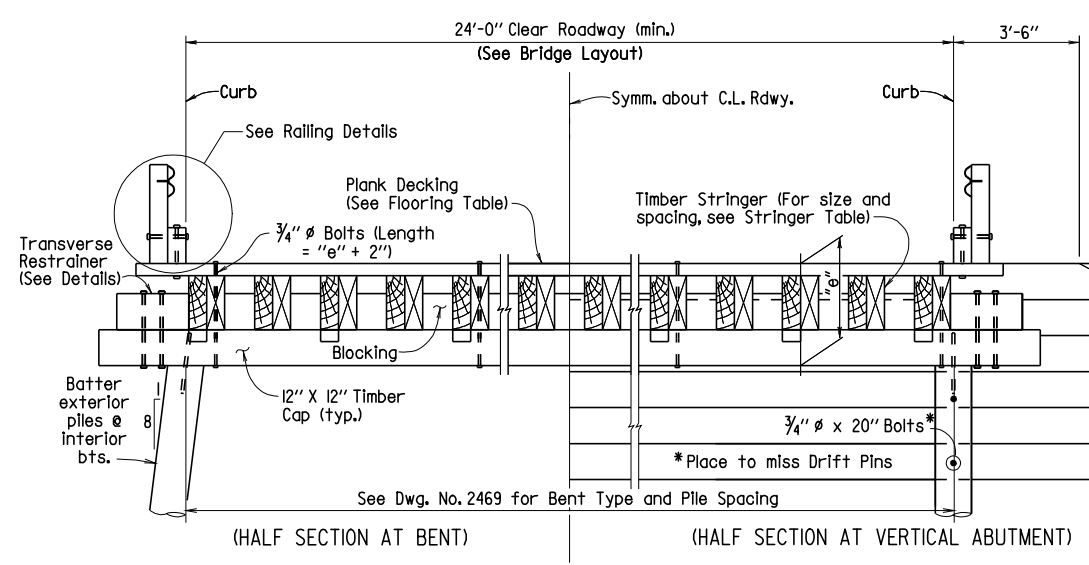


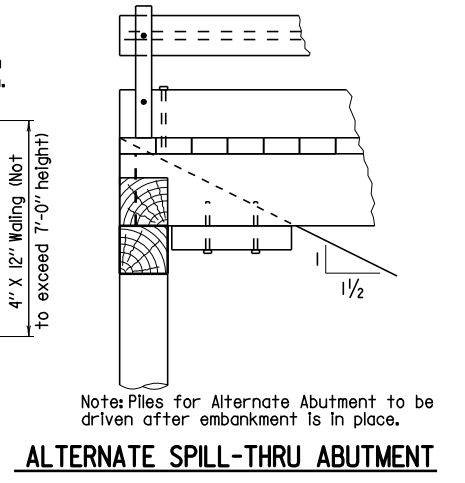
DATE ISSUED	DATE REVISED	DATE FILMED	DATE REVISED	DATE FILMED	FED. ROAD DIST. NO.	STATE	FED. AID PROJ. NO.	SHEET NO.	TOTAL SHEETS
10/18/96	4/10/03	10/18/96			6	ARK.			
JOB NO.								TEMP. BRIDGE	2468



PLAN



TYPICAL ROADWAY SECTION

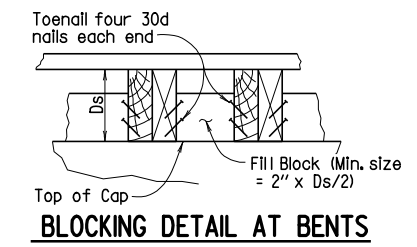


ALTERNATE SPILL-THRU ABUTMENT

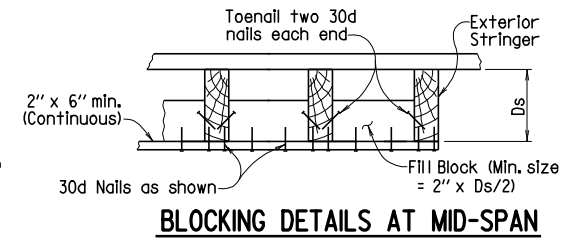
Max. Stringer Spacing "S"	Plank Size (Nominal)
14.5"	3" X 6"
16.5	3" X 8"
18.0	3" X 10"
19.5	3" X 12"
21.5	4" X 8"
24.0	4" X 10"
26.5	4" X 12"

STRINGER SIZE (NOMINAL)	c. to c. Bearing (feet)										
	8.0	10.0	12.0	14.5	15.0	16.5	18.0	19.5	21.5	24.0	26.5
4" X 12"	16										
4" X 14"		21	17	15							
6" X 12"			16								
4" X 16"		26	22	19	16						
6" X 14"			21	18	17	16	15				
6" X 16"			26	23	22	20	19	18	16		
6" X 18"			31	28	27	25	23	22	20	18	16
6" X 24"								31	30	30	27

STRINGER & FLOORING TABLES

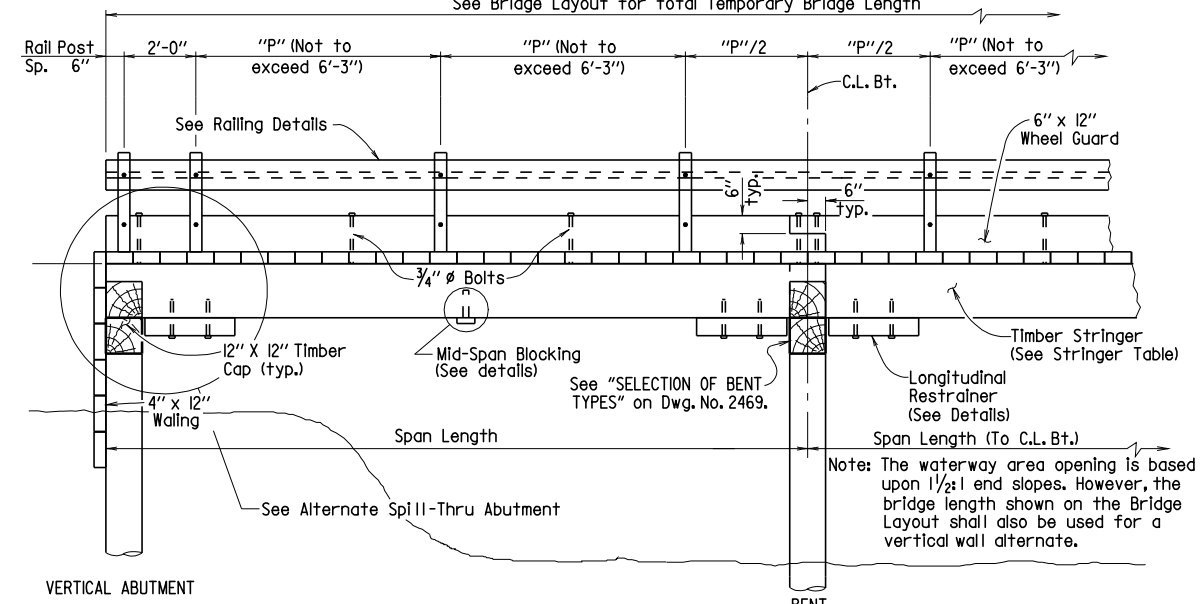


BLOCKING DETAIL AT BENTS

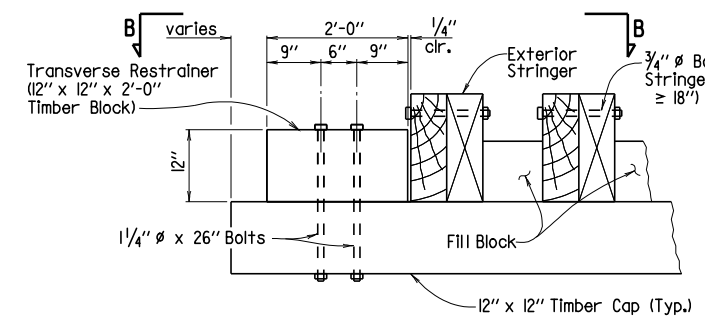


BLOCKING DETAILS AT MID-SPAN

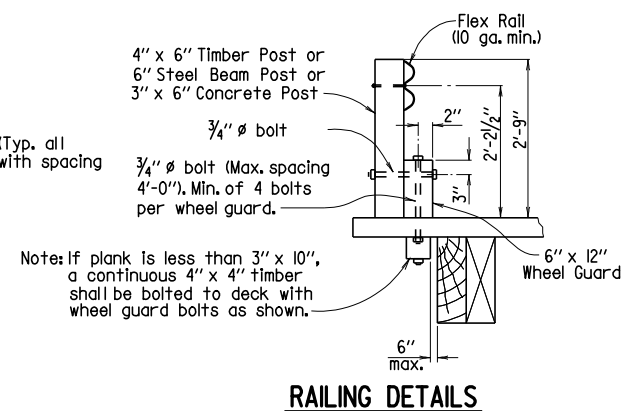
Note: Blocking details shown are for Bents. Details of blocking at Abutments are similar, except that depth of fill block shall be equal to Ds if Alternate Spill-Thru Abutment is used.



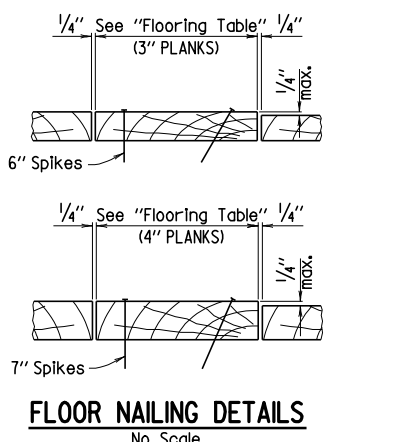
LONGITUDINAL SECTION



TRANSVERSE RESTRAINER DETAIL

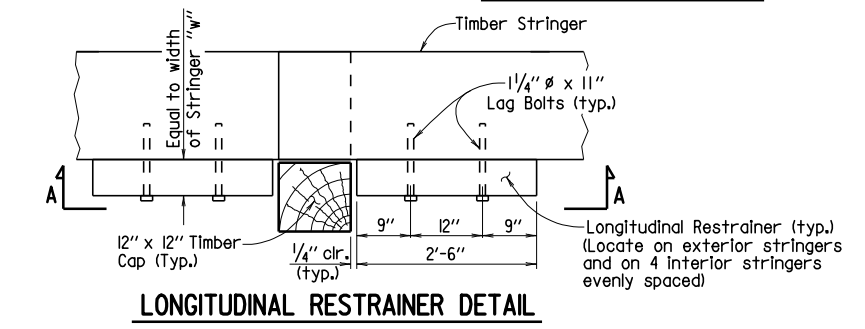


RAILING DETAILS

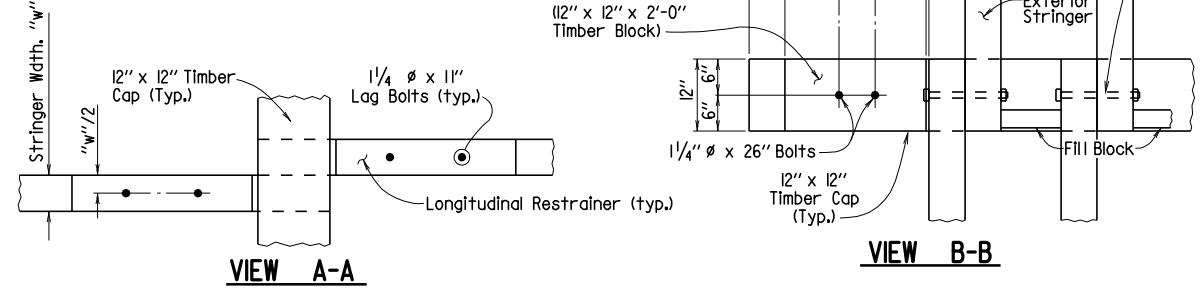


FLOOR NAILING DETAILS

Note: Planks used in plank floors shall be graded as to thickness and so laid that no two adjacent planks shall vary in thickness by more than 1/4".



LONGITUDINAL RESTRAINER DETAIL



VIEW A-A

VIEW B-B



BRIDGE ENGINEER

Revised for CPB seal, LM 4-10-03, ck'd by: CJF 4-10-03

SHEET 1 OF 2
DETAILS OF
STANDARD TEMPORARY BRIDGE STRUCTURE
TIMBER SPANS
24'-0" ROADWAY WIDTH
 ROUTE SEC.
ARKANSAS STATE HIGHWAY COMMISSION
 LITTLE ROCK, ARK.

DRAWN BY: MJT DATE: 10-18-96
 CHECKED BY: GEC DATE: 10-18-96 SCALE: NO SCALE
 DESIGNED BY: Std. DATE: _____
 BRIDGE NO. DRAWING NO. 2468