

# TRANSIT VEHICLES



## Arkansas State Highway and Transportation Department Planning and Research Division Public Transportation Programs Section

Note: The vehicles and prices listed below are for the 2008 year. Vehicles, prices and options may vary each year based on award of State contracts. The Department does not endorse any specific vehicle vendor or options manufacturer. Vehicle information and pictures displayed in this document are for illustrative purposes only.



**2008 VEHICLES TYPE  
(Driver Included)**

<b>Item No.</b>	<b>Standard Vehicles without Lifts/Ramps</b>	<b>*2008 Starting Total Cost</b>
1	Standard Minivan, 7 Passenger	\$19,099
2	Standard Van, 8 Passenger	\$20,617
3	Standard Van, 12 Passenger	\$20,454
4	Standard Van, 15 Passenger	\$22,068
5	Aisle Conversion Van (Executive Top), 13 Passenger	\$34,024
6	Aisle Conversion Van (High Top), 13 Passenger	\$36,469
7	Small Cutaway Bus, 14 Passenger	\$39,160
<b>Americans with Disabilities (ADA) Lifts/Ramps Accessible Vehicles</b>		
8	Lowered Floor Minivan, w/Ramp, 1/2 WC	\$33,812
9	Aisle Conversion Van (Executive Top) Rear Lift, 8/2 WC	\$39,979
10	Conversion Van (High Top), 9/1 WC	\$38,020
11	Conversion Van (High Top), 9/2 WC	\$38,420
12	Small Cutaway Bus, 11/1 WC	\$44,737
13	Small Cutaway Bus, 9/2 WC	\$45,212
<b>Standard and ADA Accessible Buses (CDL Required)</b>		
14	Medium Cutaway Bus, 17 Pass. (gas engine)	\$42,639
15	Medium Cutaway Bus, 9/2 WC (gas engine)	\$49,062
16	Medium Cutaway Bus, 21 Pass. (gas engine)	\$44,070
17	Medium Cutaway Bus, 13/2 WC (gas engine)	\$50,493
18	Medium Cutaway Bus, 25 Pass. (gas engine)	\$46,771
19	Medium Cutaway Bus, 17/2 WC (gas engine)	\$52,694
20	Large Cutaway Bus, 25 Pass. (diesel engine)	\$65,482
21	Large Cutaway Bus, 19/2 WC (diesel engine)	\$71,505
22	Large Cutaway Bus, 29 Pass. (diesel engine)	\$70,463
23	Large Cutaway Bus, 21/2 WC (diesel engine)	\$76,486
24	Large Cutaway Bus, 33 Pass. (diesel engine)	\$77,669
25	Large Cutaway Bus, 25/2 WC (diesel engine)	\$78,692

**Note:** ADA accessible vehicles can seat additional individuals when wheelchair clients are not being transported. **Example:**

**8/2 WC = 8 passenger and 2 wheelchair clients  
or  
13/0 WC = 13 passenger and 0 wheelchair clients**

**\* Note:** Agencies are responsible for local match or 20% of estimated base starting cost. **Estimate does not include cost of available vehicle options (child safety alert system, seatbelt extensions, etc.)**

# VEHICLE ORDER FORM



Note: This is a sample picture for Item 1.

## **Item 1. 7-Passenger Standard Minivan**

**Item 1: 7-Passenger Standard Minivan Base Price: \$19,099  
(Agency's 20% local match - \$3,820)**

# VEHICLE ORDER FORM



Note: This is a sample picture for Item 2.

## **Item 2. 8-Passenger Standard Van**

**Item 2: 8-Passenger Standard Van Base Price: \$20,617  
(Agency's 20% local match - \$4,123)**

# VEHICLE ORDER FORM



Note: This is a sample picture for Item 3.

## **Item 3. 12-Passenger Standard Van**

**Item 3: 12-Passenger Standard Van Base Price: \$20,454  
(Agency's 20% local match - \$4,091)**

# VEHICLE ORDER FORM



Note: This is a sample picture for Item 4.

## **Item 4. 15-Passenger Standard Van**

**Item 4: 15-Passenger Standard Van Base Price: \$22,068  
(Agency's 20% local match - \$4,414)**

**Note: This vehicle only available through the TransLease Program.**

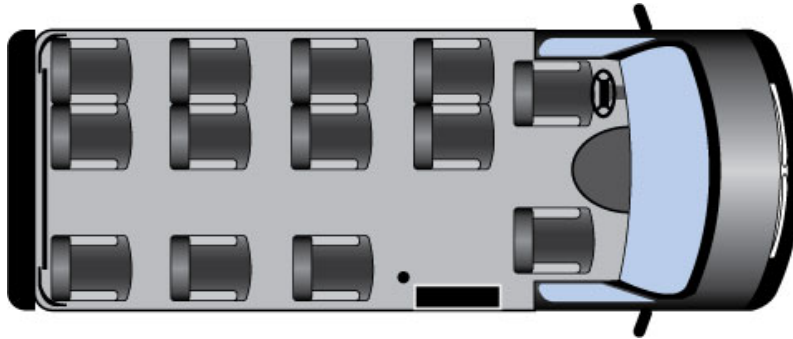
# VEHICLE ORDER FORM



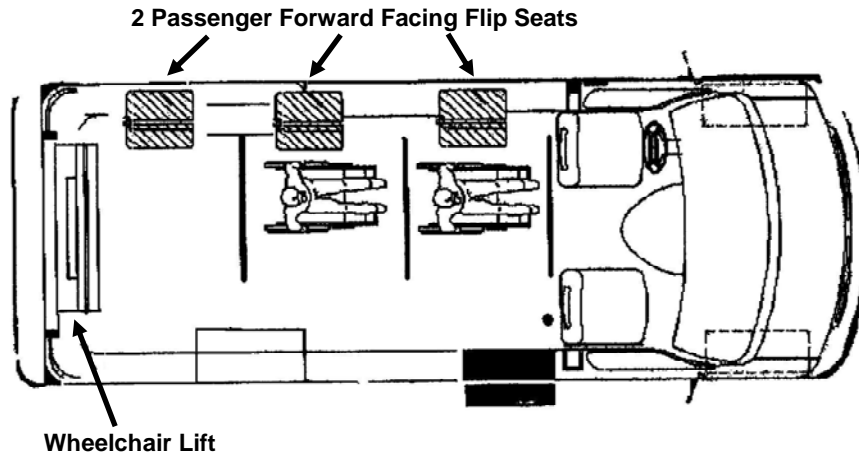
Note: These are sample pictures for Item 5 and 9.

## Items 5 and 9. Aisle Conversion Van with Executive Top

Item 5: (Executive Top), 13-Passenger Van; Base Price: \$34,024 (Agency's 20% local match - \$6,805)



Item 9: (Executive Top), 8/2 WC; Base Price: \$39,979 (Agency's 20% local match - \$7,996)



# VEHICLE ORDER FORM

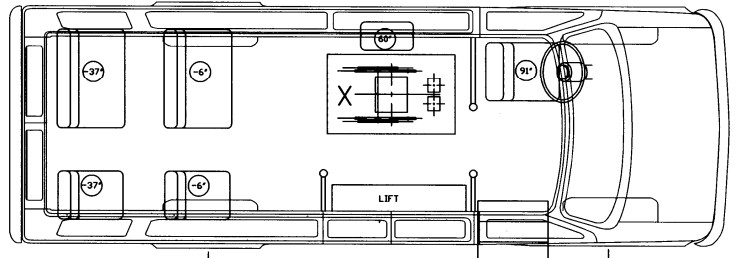
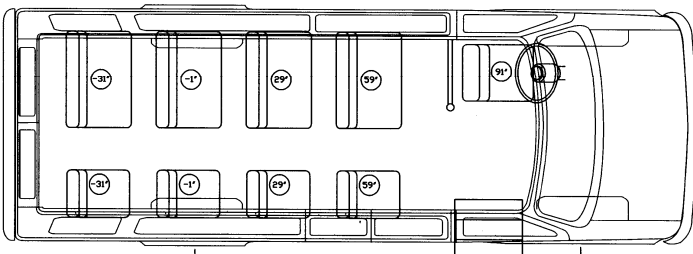


Note: This is a sample picture for Items 6, 10 and 11.

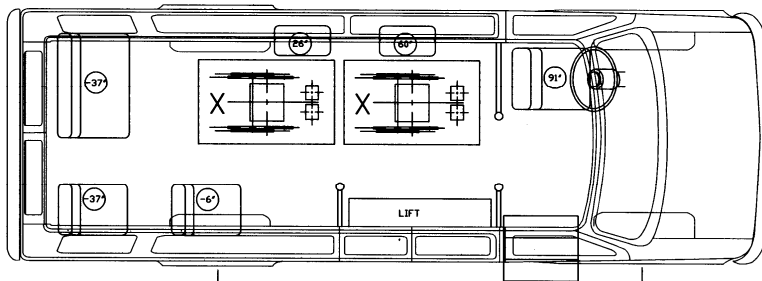
## Items 6, 10 and 11. Aisle Conversion Van with Transit High Top

**Item 6: 13-Passenger Van, Base Price: \$36,469  
(Agency's 20% local match - \$7,294)**

**Item 10: 9/1 WC, Base Price: \$38,020  
(Agency's 20% local match - \$7,604)**



**Item 11: 9/2 WC, Base Price \$38,420  
(Agency's 20% local match - \$7,684)**



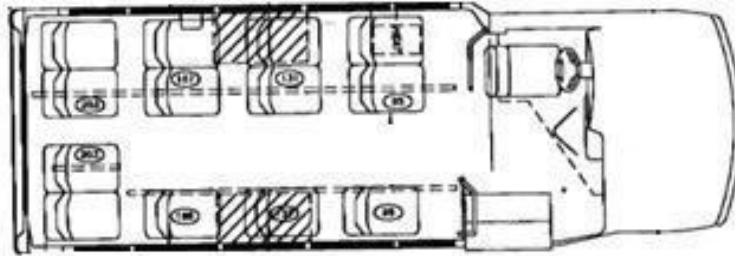
# VEHICLE ORDER FORM



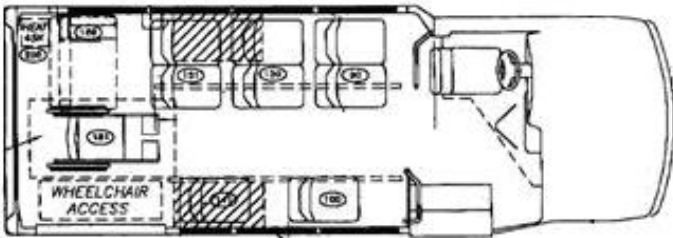
Note: These are sample pictures for Items 7, 12 and 13.  
Your vehicle will be solid white with no stripes or extra colors.

## Items 7, 12 and 13. Small Cutaway Bus

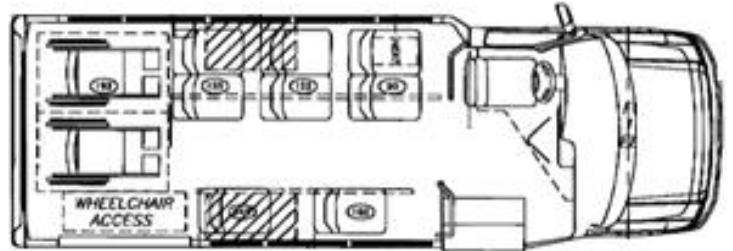
**Item 7: Small Cutaway 14-Passenger Bus Base Price: \$39,160  
(Agency's 20% local match - \$7,832)**



**Item 12: 11/1 WC Base Price: \$44,737  
(Agency's 20% local match - \$8,947)**



**Item 13: 9/2 WC Base Price: \$45,212  
(Agency's 20% local match - \$9,042)**



# VEHICLE ORDER FORM

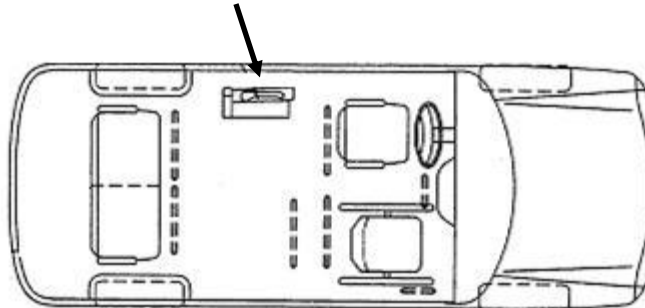


Note: This is a sample picture for Item 8.

## Item 8. Lowered Floor Minivan with Ramp

Item 8: 6/0 WC, 2/1 WC, 1/2 WC Base Price: \$38,812  
(Agency's 20% local match - \$7,762)

Double Flip Seat



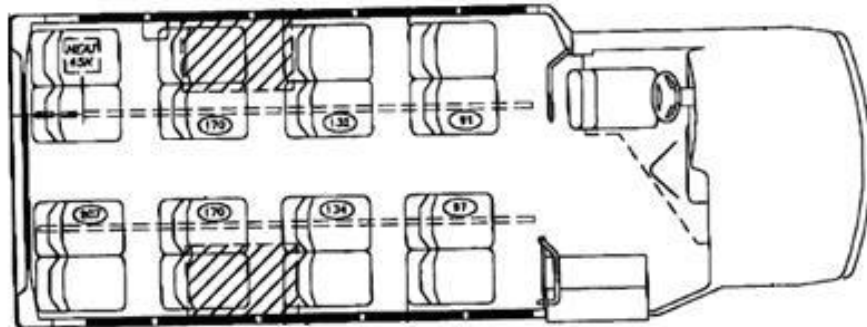
# VEHICLE ORDER FORM



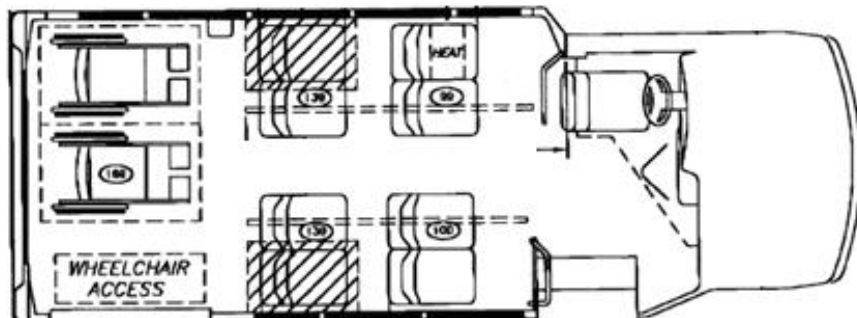
Note: These are sample pictures of items 14 and 15.  
Your vehicle will be solid white without stripes or extra colors.

## Items 14 and 15. Medium Cutaway Bus with gas engine

Item 14: 17-Passenger Bus Base Price: \$42,639  
(Agency's 20% local match - \$8,528)



Item 15: 9/2 WC Base Price: \$49,062  
(Agency's 20% local match - \$9,812)



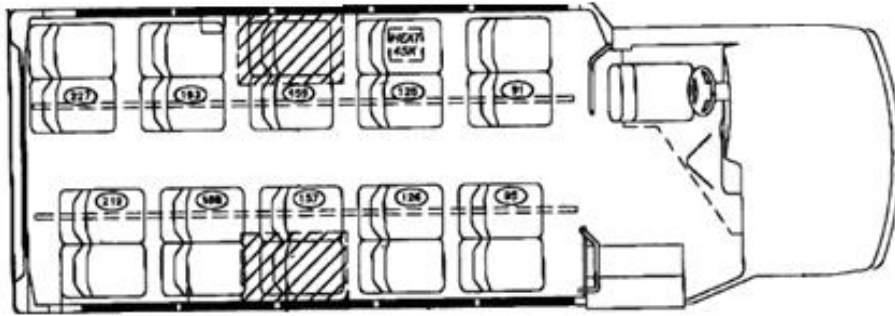
# VEHICLE ORDER FORM



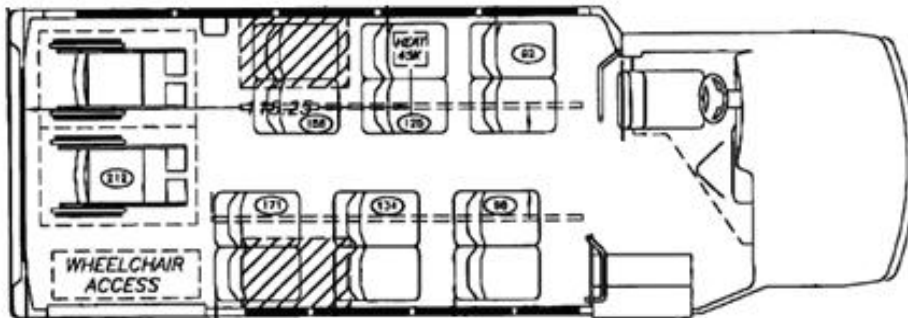
Note: These are sample pictures of items 16 and 17.  
Your vehicle will be solid white without stripes or extra colors.

## Items 16 and 17. Medium Cutaway Bus with gas engine

Item 16: 21-Passenger, Base Price: \$44,070  
(Agency's 20% local match - \$8,814)



Item 17: 13/2 WC, Base Price: \$50,493  
(Agency's 20% local match - \$10,099)



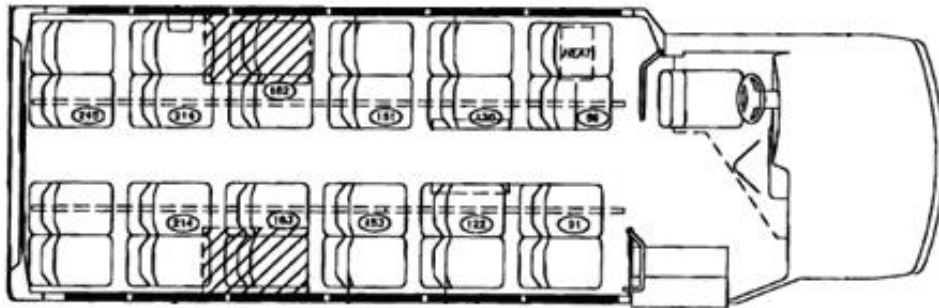
# VEHICLE ORDER FORM



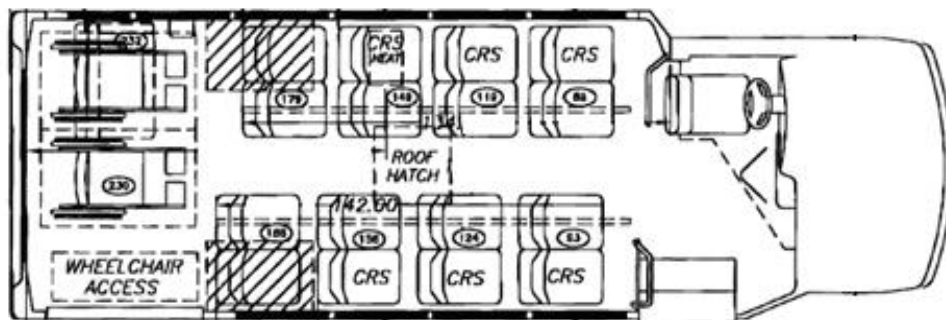
Note: These are sample pictures of items 18 and 19.  
Your vehicle will be solid white without stripes or extra colors.

## Items 18 and 19. Medium Cutaway Bus with gas engine

**Item 18: 25-Passenger, Base Price: \$46,771  
(Agency's 20% local match - \$9,354)**



**Item 19: 17 1/2 WC, Base Price: \$52,694  
(Agency's 20% local match - \$10,539)**



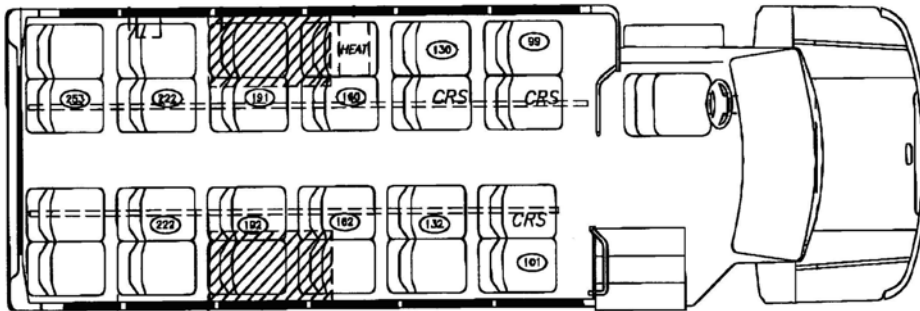
# VEHICLE ORDER FORM



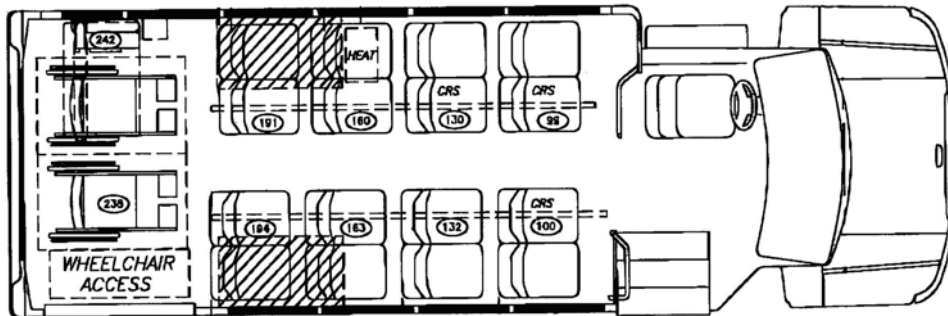
Note: These are sample pictures of items 20 and 21.  
Your vehicle will be solid white without stripes or extra colors.

## Items 20 and 21. Large Cutaway Bus with diesel engine

Item 20: 25-Passenger, Base Price: \$65,482  
(Agency's 20% local match - \$13,096)



Item 21: 19/1 WC or 17/2 WC, Base Price: \$71,505  
(Agency's 20% local match - \$14,301)



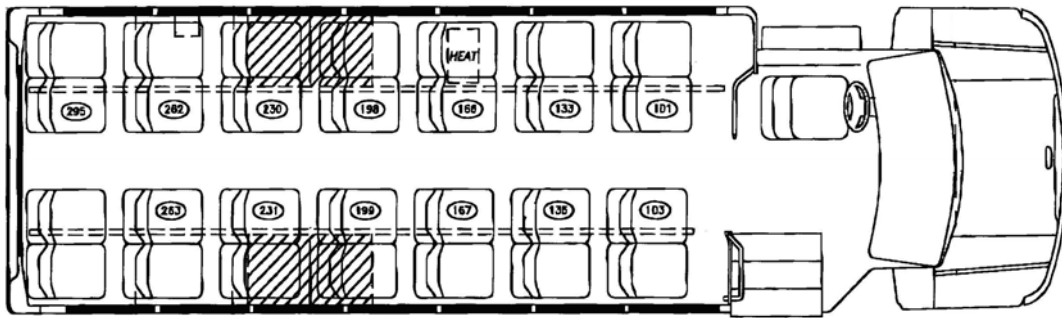
# VEHICLE ORDER FORM



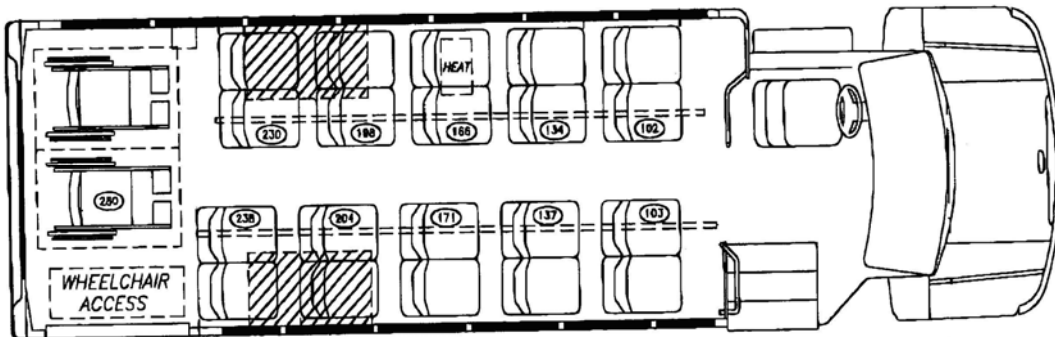
Note: These are sample pictures of items 22 and 23.  
Your vehicle will be solid white without stripes or extra colors.

## Items 22 and 23. Large Cutaway Bus with diesel engine

Item 22: 29-Passenger, Base Price: \$70,463  
(Agency's 20% local match - \$14,093)



Item 23: 23/1 WC or 21/2 WC, Base Price: \$76,486  
(Agency's 20% local match - \$15,297)



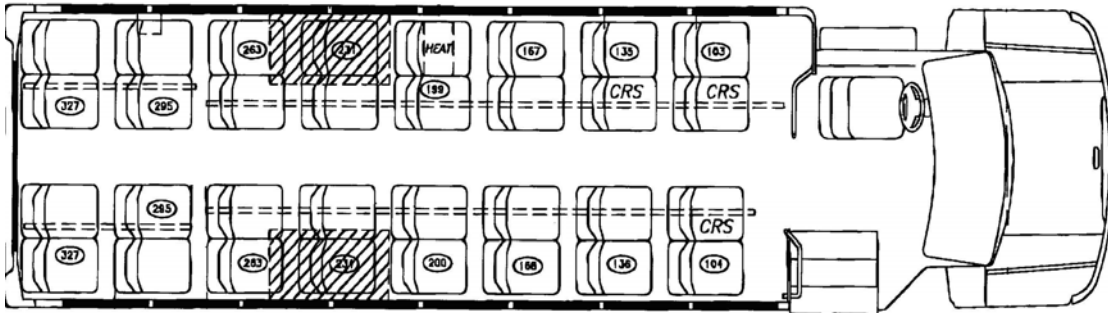
# VEHICLE ORDER FORM



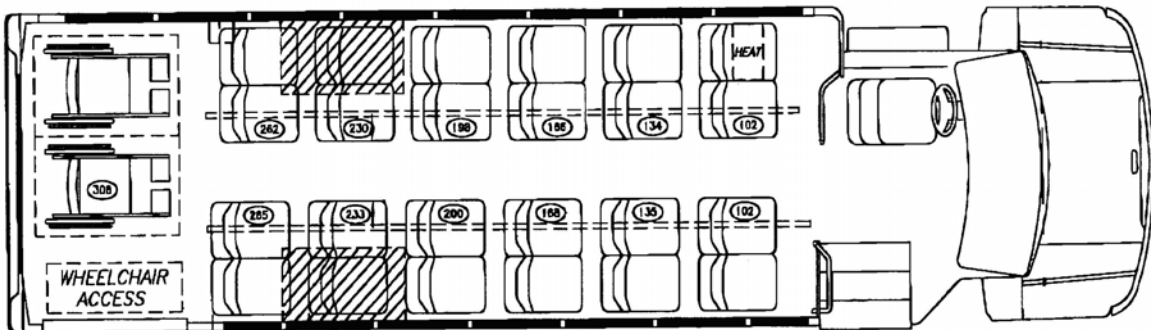
Note: These are sample pictures of items 24 and 25.  
Your vehicle will be solid white without stripes or extra colors.

## Items 24 and 25. Large Cutaway Bus with diesel engine

Item 24: 33-Passenger, Base Price: \$77,669  
(Agency's 20% local match - \$15,534)



Item 25: 25/2 WC, Base Price: \$78,692  
(Agency's 20% local match - \$15,738)



# AHTD TRANSIT VEHICLE OPTIONS DESCRIPTIONS AND PICTURES



## Arkansas State Highway and Transportation Department Planning and Research Division Public Transportation Programs Section

Note: The vehicles and prices listed below are for the 2008 year. Vehicles, prices and options may vary each year based on award of State contracts. The Department does not endorse any specific vehicle vendor or options manufacturer. Vehicle information and pictures displayed in this document are for illustrative purposes only.

The following vehicle options may be added onto specified vehicle. They are listed below with a description and pictures where available. The vehicle options listed with an asterisk (\*) have a picture associated with it for illustrative purposes. Options may be limited depending on the desired vehicle.



# VEHICLE OPTION DESCRIPTIONS

1. **\*Alternate Child Restraint Systems:** This option is for additional seat tethers for infant seats. The AHTD requires three be installed in all vehicles. This allows an agency to install more if this fits their clientele. On Transit High Top Vehicles Only: you are only allowed to have the alternate child restraint systems on window seats.
2. **\*Backup Device:** An ultrasonic device that is mounted to the rear bumper with a, dash mounted, electronic visual and audible warning system that is used to detect large objects behind vehicle while backing.
3. **\*Caution Lighting:** Rear yellow caution lights that flash when you have the side or rear doors open to alert other drivers that you are loading or unloading passengers.
4. **\*Child Alert System:** A system designed to require the driver to inspect interior of vehicle for children before the vehicle can be shut down for any length of time. The system usually has a button placed in the rear of the vehicle that must be pushed before the vehicle can be shut off or an alarm and vehicle horn will sound.
5. **\*Double Fold Away Seat:** A two person seat which folds up and out of the way when not in use. This allows for additional seating when there is not a wheelchair passenger on board. This option is usually installed on vehicles that have a wheelchair lift and restraint system.
6. **\*Fast Idle System:** An electronic system that raises the idle speed of the vehicle while the vehicle is in park. This helps keep the vehicles battery charged by speeding up the alternator and also keeps the air conditioner compressor spinning faster for cooler interior temps in the summer months.
7. **Floor Covering Altro Upgrade:** An upgrade floor covering from the standard rubber floor that is usually installed in transit vehicles. It is normally more durable and a better grade rubber than the normal flooring.
8. **\*LED Destination Sign:** This is an electronic sign that is on both the front and passenger side of the vehicle. It can be programmed electronically to show the destination stops.
9. **\*Mor/Ryde Rear Suspension Enhancement:** A rear suspension enhancement that utilizes rubber mounts which makes the vehicle ride smoother on rough pavement especially when the vehicle is loaded.
10. **\*Passenger High Back Seats:** This allows the agency to opt for high back seats instead of the standard mid back seats.
11. **\*Plush Fabric Upholstery:** This allows the agency to upgrade to cloth type fabric instead of the standard vinyl.
12. **\*Raised Flat Floor:** This option allows the vehicle to have a flat floor instead of having wheel well intrusions.

- 13. Reduction Double Seat:** This allows the agency to reduce the price of the seats that are removed for the installation of a wheelchair lift and restraint system.
- 14. Reduction Service Manual:** This allows the agency to have a price reduction if they do not need a service manual for their vehicle.
- 15. \*Safety Bumper Rear:** An optional rear bumper that allows multiple impacts of 5 mph or less without damage to bumper or vehicle.
- 16. \*Safety Exit Ventilator:** This is a vent that is installed in the roof of the vehicle that also can be used as an emergency exit in case of a rollover.
- 17. \*Seat Belt Extensions:** This option is for passengers requiring additional length to safely and comfortably secure their seat belts.
- 18. \*Wheelchair Lift:** A lift designed to aide wheelchair passengers, passengers requiring a walker, or passengers who are not able to board the vehicle by utilizing the ambulatory entry.
- 19. \*Wheelchair Restraint System:** A system of restraints designed to hold a wheelchair securely in position while the vehicle is in motion.

# VEHICLE OPTION PICTURES

**1. Alternate Child Restraint Systems:** This option is for additional seat tethers for infant seats. The AHTD requires three be installed in all vehicles. This allows an agency to install more if this fits their clientele. On Transit High Top Vehicles Only: you are allowed only to have the alternate child restraint systems on window seats only.



**2. Backup Device:** An ultrasonic device that is mounted to the rear bumper with a, dash mounted, electronic visual and audible warning system that is used to detect large objects behind vehicle while backing.



**3. Caution Lighting:** Rear yellow caution lights that flash when you have the side or rear doors open to alert other drivers that you are loading or unloading passengers.



**4. Child Alert System:** A system designed to require the driver to inspect interior of vehicle for children before the vehicle can be shut down for any length of time. The system usually has a button placed in the rear of the vehicle that must be pushed before the vehicle can be shut off or an alarm and vehicle horn will sound.



**5. Double Fold Away Seat:** A two person seat which folds up and out of the way when not in use. This allows for additional seating when there is not a wheelchair passenger on board. This option is usually installed on vehicles that have a wheelchair lift and restraint system.



**6. Fast Idle System:** An electronic system that raises the idle speed of the vehicle while the vehicle is in park. This helps keep the vehicles battery charged by speeding up the alternator and also keeps the air conditioner compressor spinning faster for cooler interior temps in the summer months.



**8. LED Destination Sign:** This is an electronic sign that is on both the front and passenger side of the vehicle. It can be programmed electronically to show the destination stops.



**9. Mor/Ryde Rear Suspension Enhancement:** A rear suspension enhancement that utilizes rubber mounts which makes the vehicle ride smoother on rough pavement especially when the vehicle is loaded.



**10. Passenger High Back Seats:** This allows the agency to opt for high back seats instead of the standard mid back seats.



**11. Plush Fabric Upholstery:** This allows the agency to upgrade to cloth type fabric instead of the standard vinyl.



**12. Raised Flat Floor:** This option allows the vehicle to have a flat floor instead of having wheel well intrusions.



**15. Safety Bumper Rear:** An optional rear bumper that allows multiple impacts of 5 mph or less without damage to bumper or vehicle.



**16. Safety Exit Ventilator:** This is a vent that is installed in the roof of the vehicle that also can be used as an emergency exit in case of a rollover.



**17. Seat Belt Extensions:** This option is for passengers requiring additional length to safely and comfortably secure their seat belts.



**18. Wheelchair Lift:** A lift designed to aid wheelchair passengers, passengers requiring a walker, or passengers who are not able to board the vehicle by utilizing the ambulatory entry.



Outside View



Inside View

**19. Wheelchair Restraint System:** A system of restraints designed to hold a wheelchair securely in position while the vehicle is in motion.

