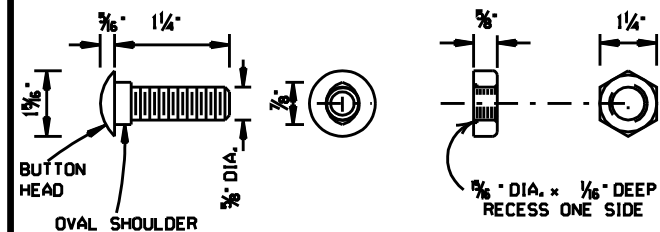
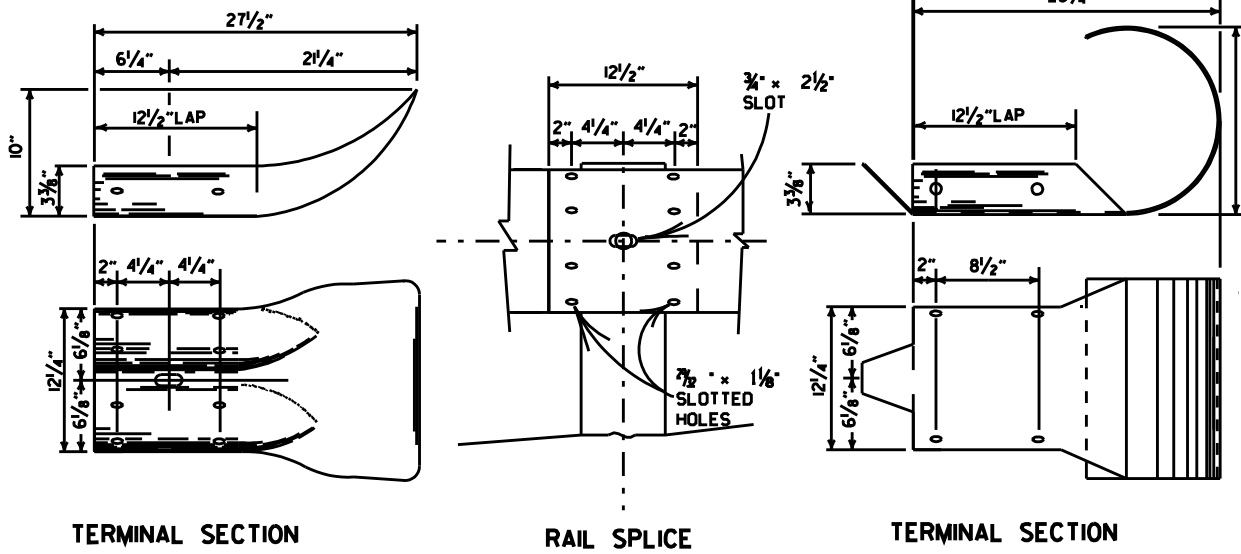


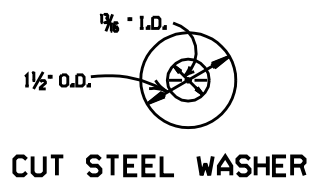
ELEVATION



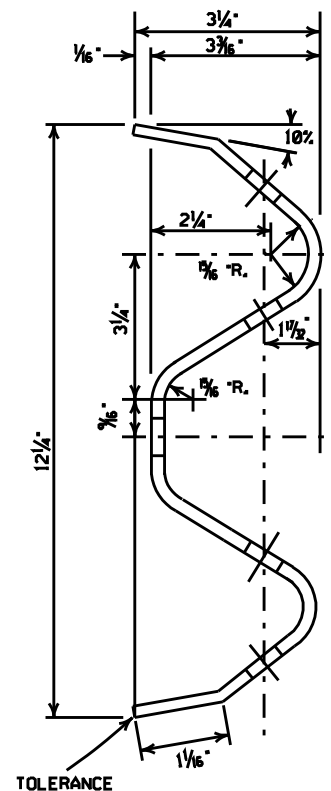
SPLICE BOLT

NUT

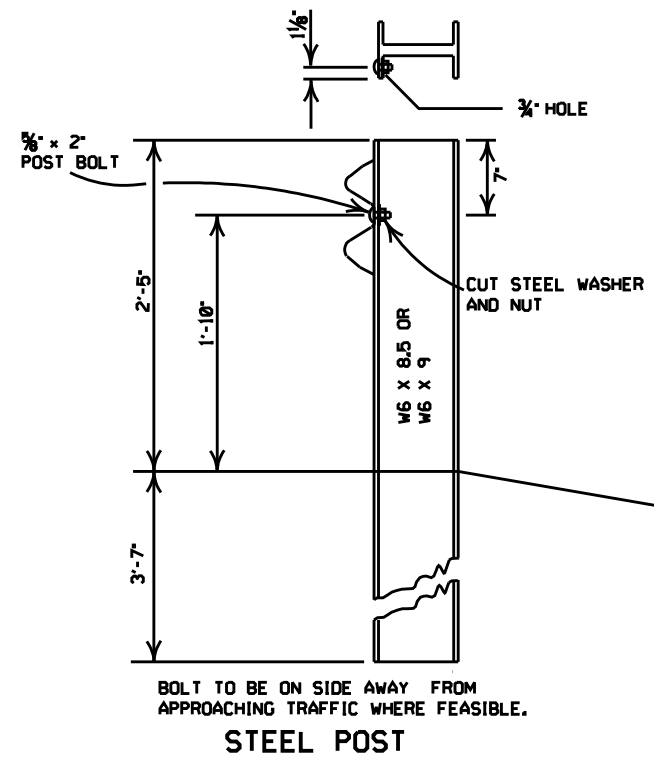
NOTE: POST BOLT SAME EXCEPT LENGTH.



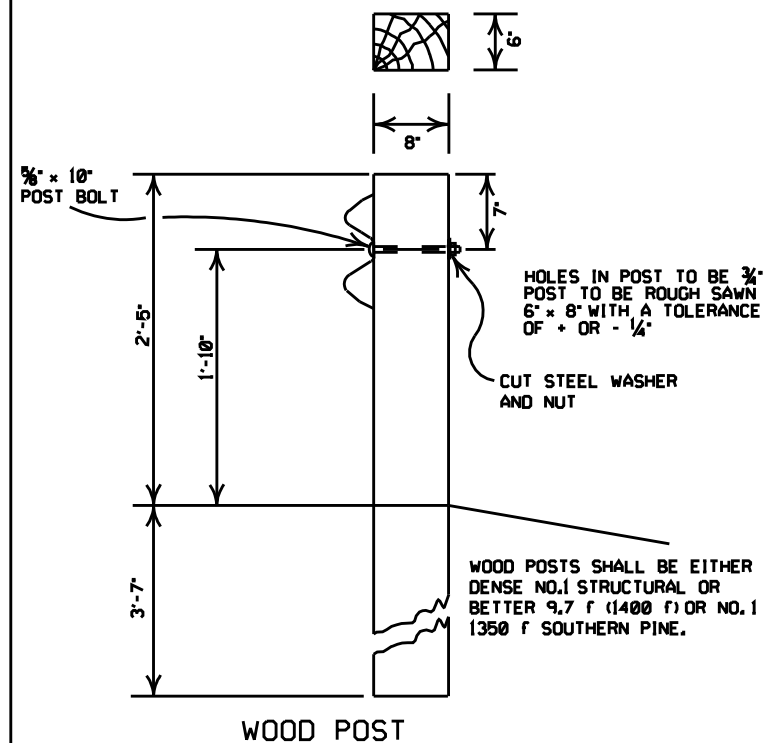
CUT STEEL WASHER



SECTION THRU RAIL



STEEL POST



WOOD POST

DETAILS OF POST CONNECTIONS

DATE	REVISION	DATE FILM
7-14-10	RAISED HEIGHT OF GUARD RAIL 1"	
8-22-02	REVISED DIMENSION ON STEEL POST	
11-16-01	REVISED STEEL AND WOOD POST	
8-12-98	REMOVED CONCRETE POST	
10-18-96	CHANGED WOOD POST NOTE	10-18-96
6-2-94	ADDED ALTERNATE STEEL POST SIZE	
8-5-93	REVISED STEEL POSTS SIZE	8-5-93
8-15-91	DELETE STEEL PLATE WASHER & ADDED TYPE C TO TITLE	8-15-91
10-30-87	REMOVED DET. PLCMNT. ON HWY.	555-11-20-87
1-4-83	GRADE FOR WOOD POSTS	679-1-4-83
10-1-77	HARDENED WASHER	922-10-1-72
10-2-72	REVISED & REDRAWN	521-10-2-72

ARKANSAS STATE HIGHWAY COMMISSION

GUARD RAIL DETAILS  
(TYPE C)  
STREET / ROAD BARRICADE OR  
TEMPORARY INSTALLATION

STANDARD DRAWING GR-7