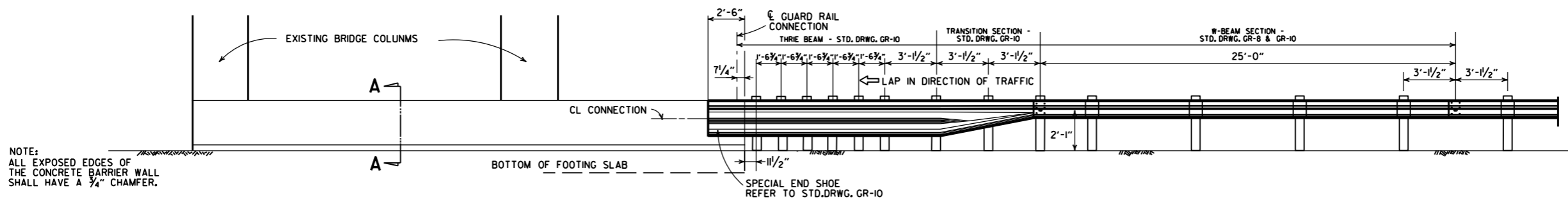
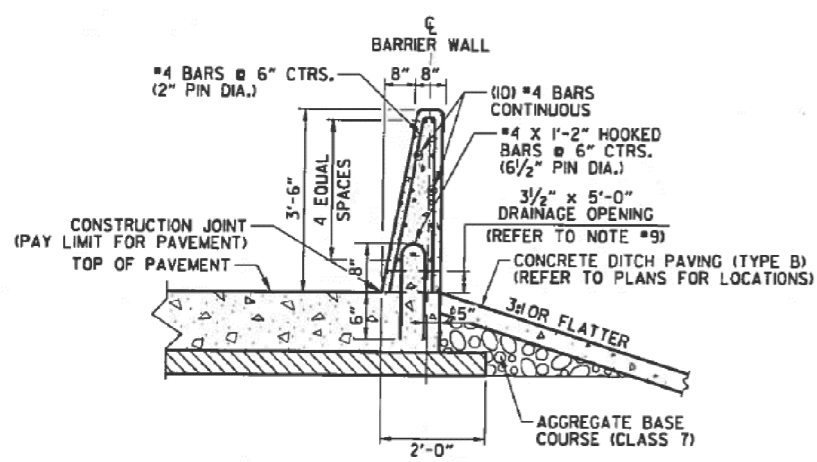


AT LEAST ONE 1/2" JOINT SHALL BE CONSTRUCTED IN THE CONCRETE BARRIER WALL. JOINTS SHALL BE EQUALLY SPACED AT A MAXIMUM OF 25'-0" O.C. FILL JOINT WITH PREFORMED JOINT FILLER.

PLAN OF CONCRETE BARRIER WALL

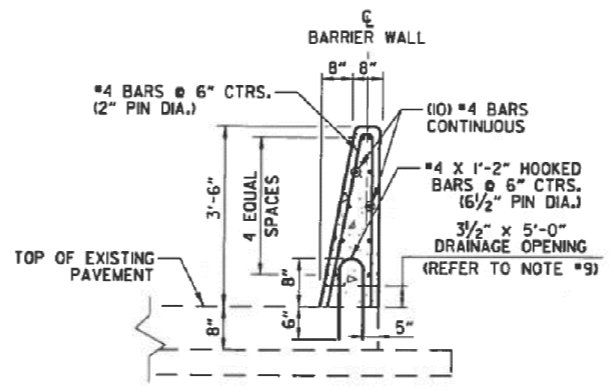


ELEVATION OF CONCRETE BARRIER WALL



SECTION A-A CONCRETE BARRIER WALL (SIDE TYPE A)

NOTE: SIDE TYPE A IS FOR USE WITH PROPOSED PAVEMENT.



SECTION A-A CONCRETE BARRIER WALL (SIDE TYPE A-I)

NOTE: SIDE TYPE A-I IS FOR USE WITH EXISTING PAVEMENT.

DATE	REVISION	FILMED
11-16-17	REVISED CONCRETE BARRIER WALL, RAISED GUARDRAIL HEIGHT 3" AND REVISED POST SPACING, CHANGED STD. DWG. NUMBER FROM GR-11 TO GR-13	
07-14-10	RAISED HEIGHT OF W-BEAM 1"	
08-22-02	REV. SECTION A-A OF DETAILS OF CONCRETE BARRIER WALL	
06-29-00	MOVED DIMENSION LINE	
05-18-00	ADDED NOTE	
03-30-00	REVISED TO INCLUDE THRE BEAM	
06-02-94	ADDED TRANSITION SECTION NOTE	
10-01-92	REDRAWN & REVISED	10-1-92
08-15-91	REVISED DRAWING PLAN CONC. BARR.	8-15-91
02-16-89	ADDED SKEWED DETAILS	594-2-16-89
07-14-88	CHANGED TITLE	
10-09-87	REDRAWN & REVISED	

ARKANSAS STATE HIGHWAY COMMISSION

CONCRETE BARRIER WALL (PIER PROTECTION TYPE A)

STANDARD DRAWING GR-13